

**ADONIS - P (G035)**

**PARTS CATALOG**

First Edition July 1999

RICOH COMPANY,LTD

## **PARTS CATALOG**

### **INTRODUCTION**

This chapter instructs you the numbers and names of parts on this machine.

### **INDEX to PARTS CATALOG**

<b>ADONIS - P</b>	<b>(G035)</b>
<b>PS430</b>	<b>(G520)</b>
<b>RT36</b>	<b>(A683)</b>
<b>SR720</b>	<b>(A681)</b>
<b>SR730</b>	<b>(A697)</b>
<b>Bridge Unit Type 450</b>	<b>(A688)</b>
<b>Mail Box Unit /</b>	
<b>Bridge Unit Type 460</b>	<b>(G909/G912)</b>

**ADONIS - P (G035)**

## PARTS CATALOG

### INTRODUCTION

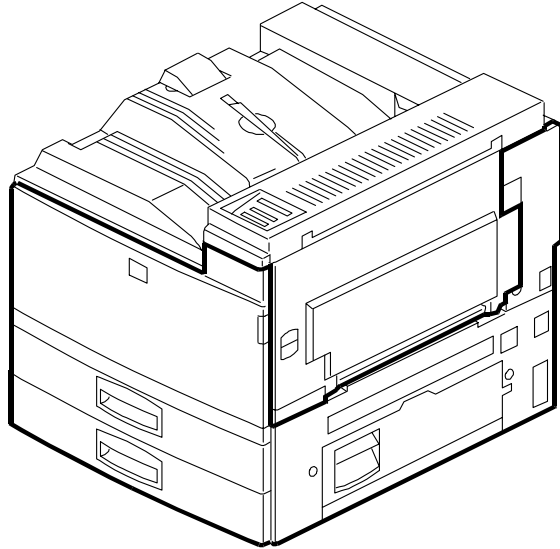
This chapter instructs you the numbers and names of parts on this machine.

### INDEX to PARTS CATALOG

<b>LOCATION OF UNIT</b> .....	<b>2</b>	19.DUPLEX UNIT 3 (G035).....	44
1.EXTERIOR 1 (G035).....	8	20.DRIVE SECTION 1 (G035).....	46
2.EXTERIOR 2 (G035).....	10	21.DRIVE SECTION 2 (G035).....	48
3.LASER UNIT (G035).....	12	22.ELECTRICAL SECTION 1 (G035).....	50
4.BY-PASS FEED UNIT 1 (G035).....	14	23.ELECTRICAL SECTION 2 (G035).....	52
5.BY-PASS FEED UNIT 2 (G035).....	16	24.FRAME SECTION 1 (G035).....	54
6.PAPER FEED SECTION (G035).....	18	25.FRAME SECTION 2 (G035).....	56
7.PAPER REGISTRATION (G035).....	20	26.EXPANSION BOX (G035).....	58
8.PAPER TRAY UNIT (G035).....	22	27.CONTROLLER UNIT (G035).....	60
9.TONER HOPPER UNIT (G035).....	24	28.IOB BOARD (G035).....	62
10.PCU UNIT 1 (G035).....	26	29.BICU BOARD (G035).....	66
11.PCU UNIT 2 (G035).....	28	30.CONTROLLER BOARD (G035).....	72
12.TRANSFER UNIT 1 (G035).....	30	31.DECAL AND DOCUMENT (G035).....	76
13.TRANSFER UNIT 2 (G035).....	32	32.SPECIAL TOOLS (G035).....	80
14.DEVELOPMENT UNIT (G035).....	34	<b>PARTS INDEX</b> .....	<b>83</b>
15.FUSING UNIT (G035).....	36		
16.PAPER SEPARATION UNIT (G035).....	38		
17.DUPLEX UNIT 1 (G035).....	40		
18.DUPLEX UNIT 2 (G035).....	42		

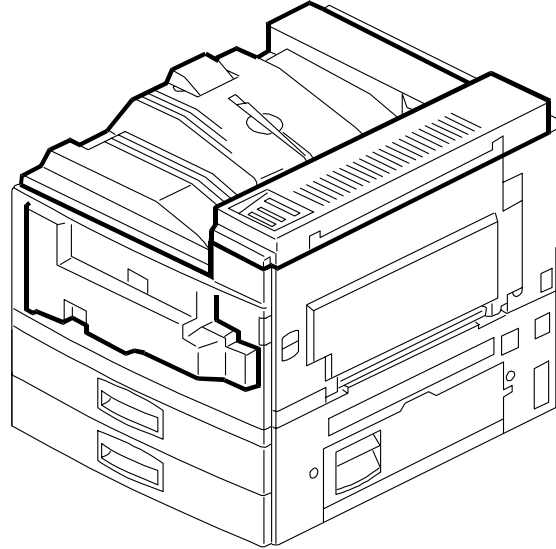
## LOCATION OF UNIT

1.EXTERIOR 1 (G035)



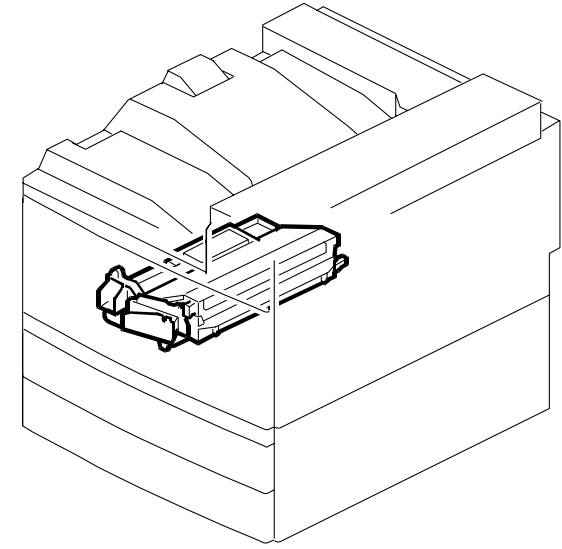
See Page 9

2.EXTERIOR 2 (G035)



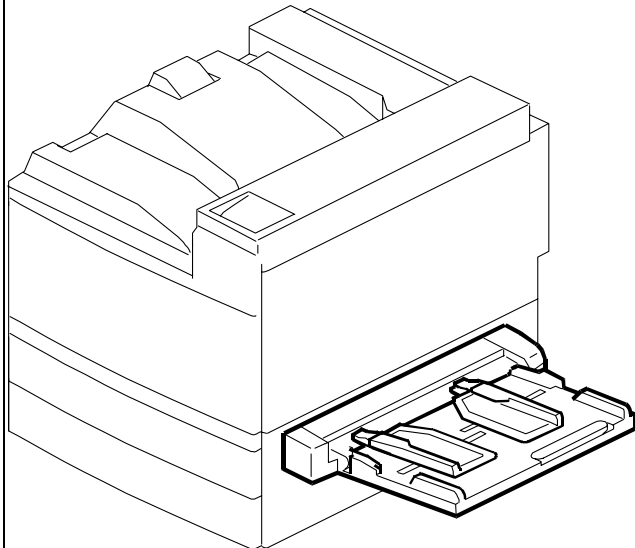
See Page 11

3.LASER UNIT (G035)



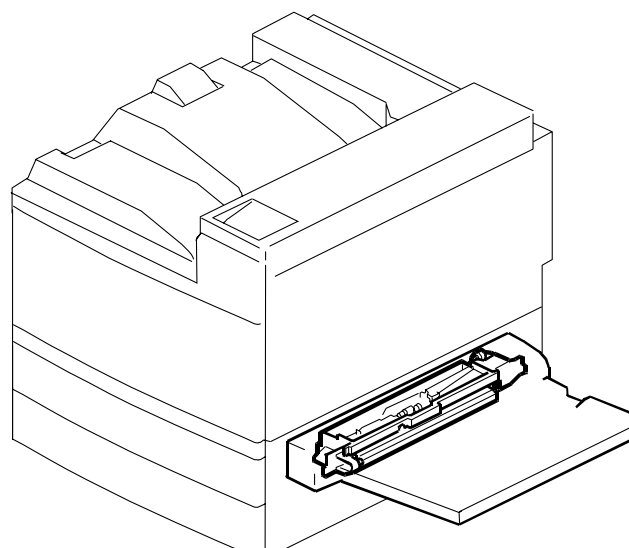
See Page 13

4.BY-PASS FEED UNIT 1 (G035)



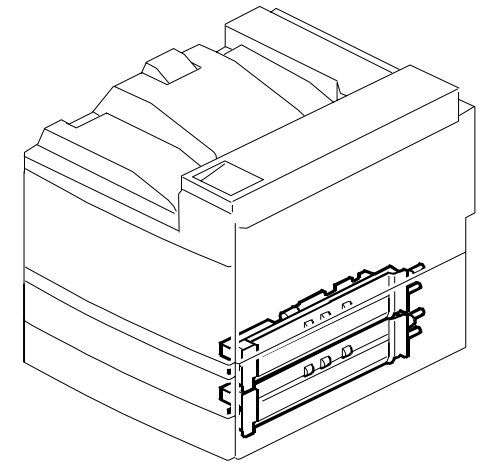
See Page 15

5.BY-PASS FEED UNIT 2 (G035)



See Page 17

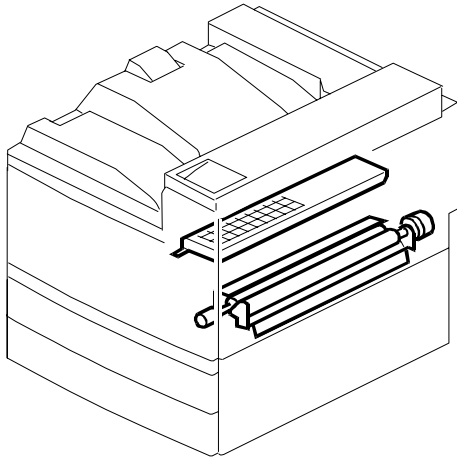
6.PAPER FEED SECTION (G035)



See Page 19

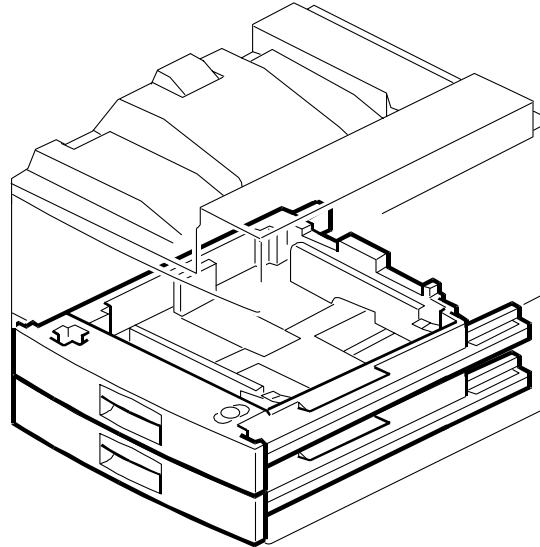
## LOCATION OF UNIT

7.PAPER REGISTRATION (G035)



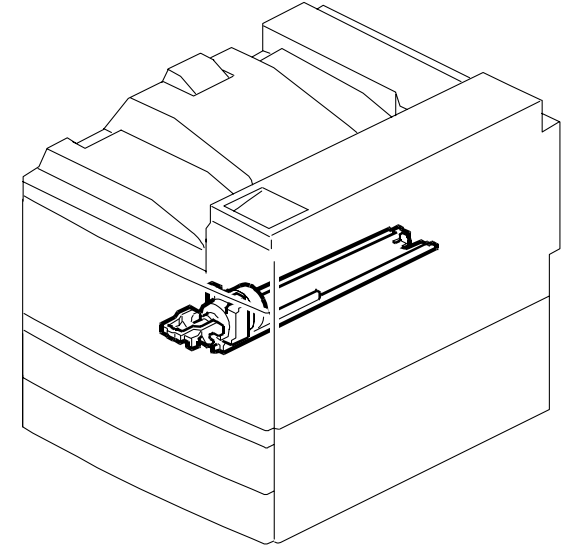
See Page 21

8.PAPER TRAY UNIT (G035)



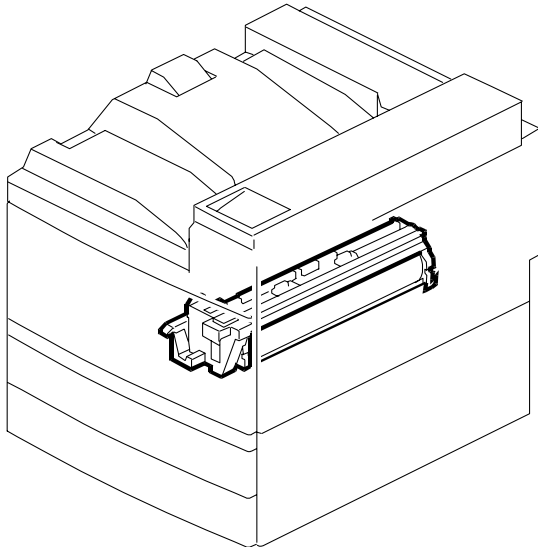
See Page 23

9.TONER HOPPER UNIT (G035)



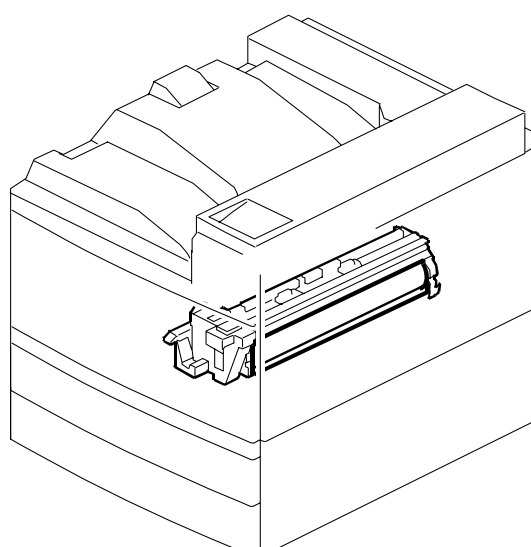
See Page 25

10.PCU UNIT 1 (G035)



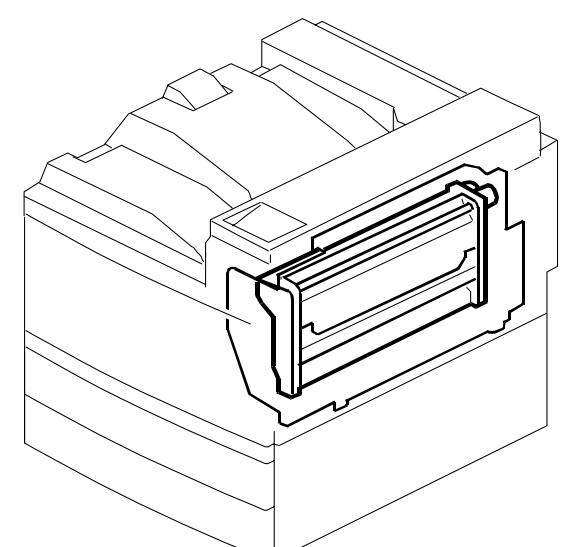
See Page 27

11.PCU UNIT 2 (G035)



See Page 29

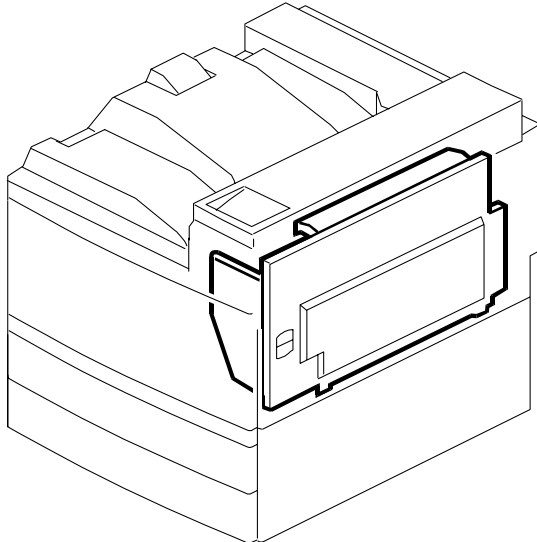
12.TRANSFER UNIT 1 (G035)



See Page 31

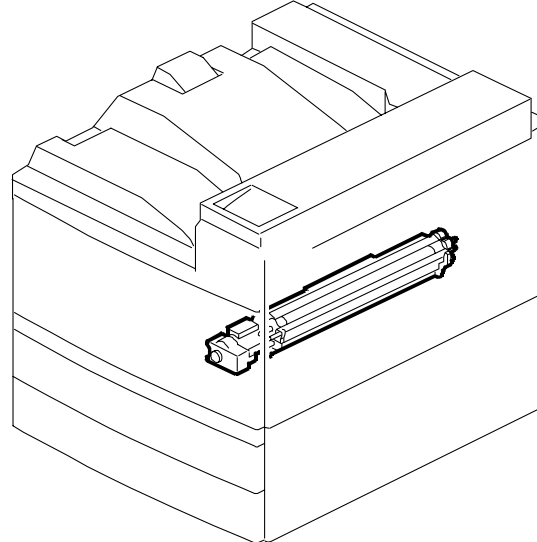
# LOCATION OF UNIT

13.TRANSFER UNIT 2 (G035)



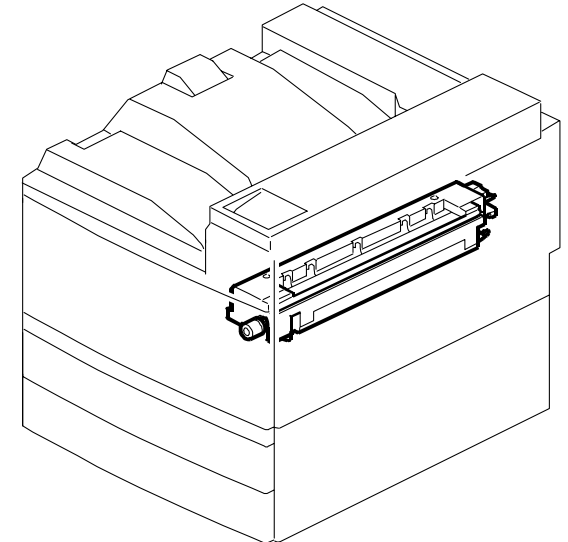
See Page 33

14.DEVELOPMENT UNIT (G035)



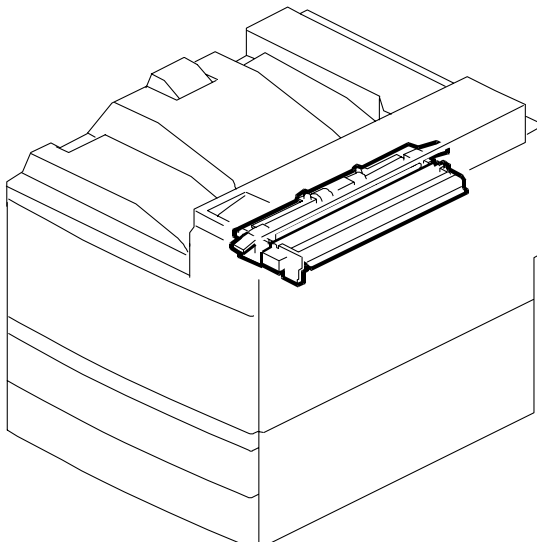
See Page 35

15.FUSING UNIT (G035)



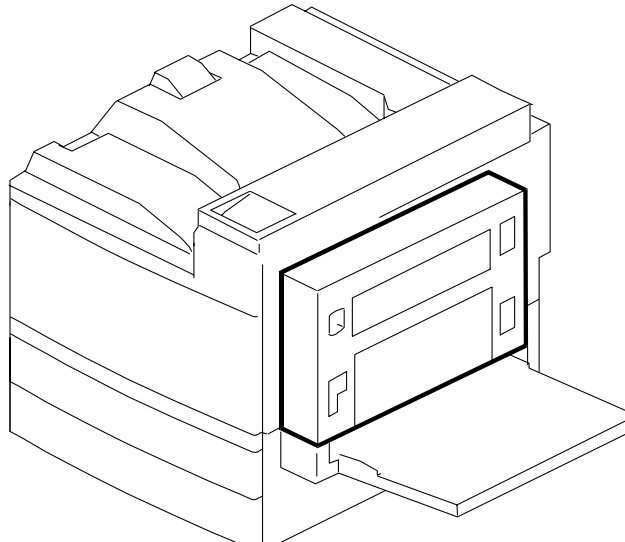
See Page 37

16.PAPER SEPARATION UNIT (G035)



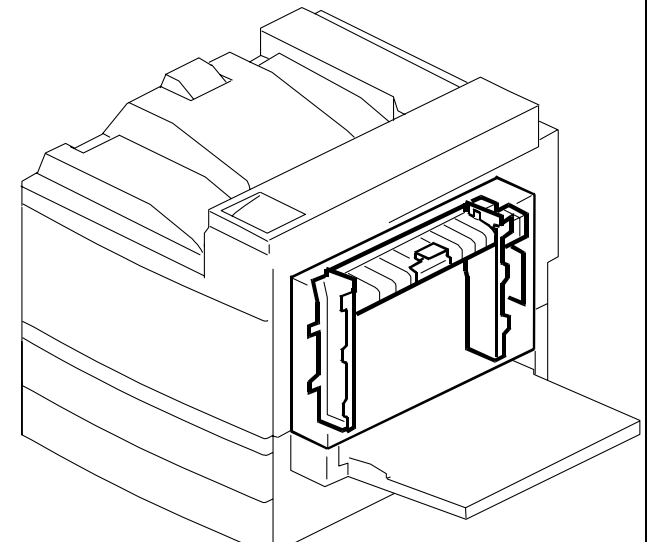
See Page 39

17.DUPLEX UNIT 1 (G035)



See Page 41

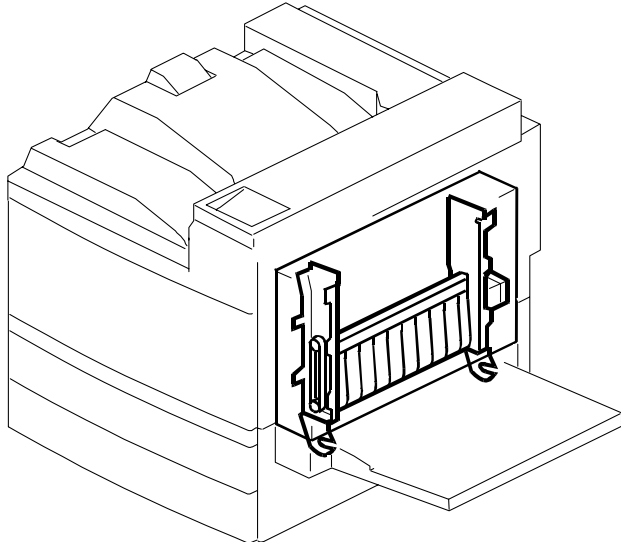
18.DUPLEX UNIT 2 (G035)



See Page 43

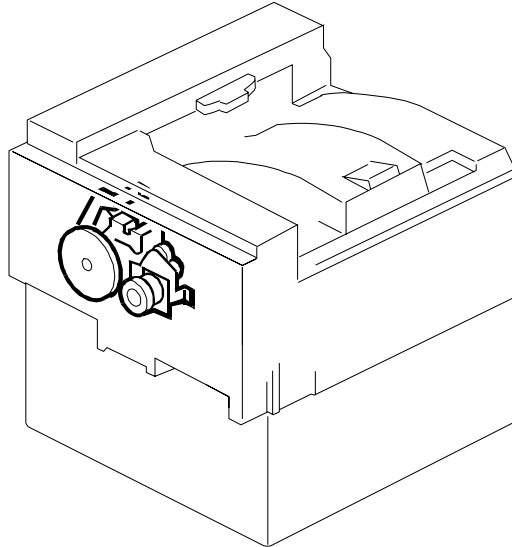
# LOCATION OF UNIT

19.DUPLEX UNIT 3 (G035)



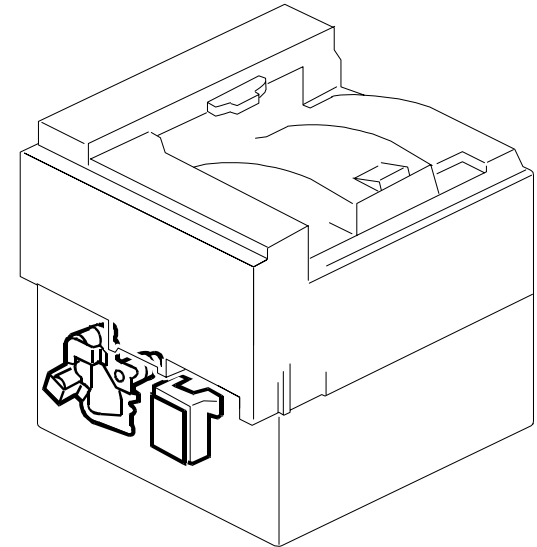
See Page 45

20.DRIVE SECTION 1 (G035)



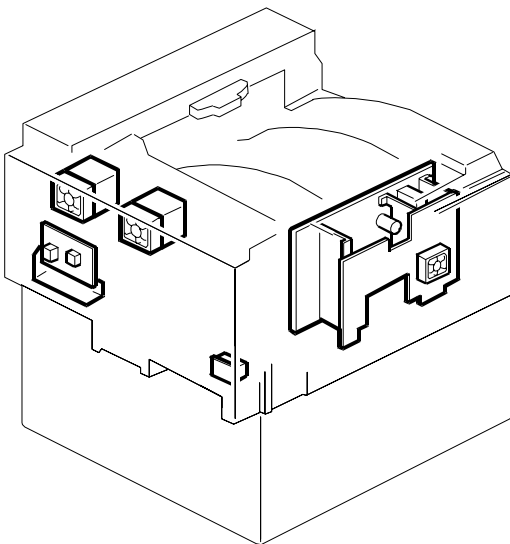
See Page 47

21.DRIVE SECTION 2 (G035)



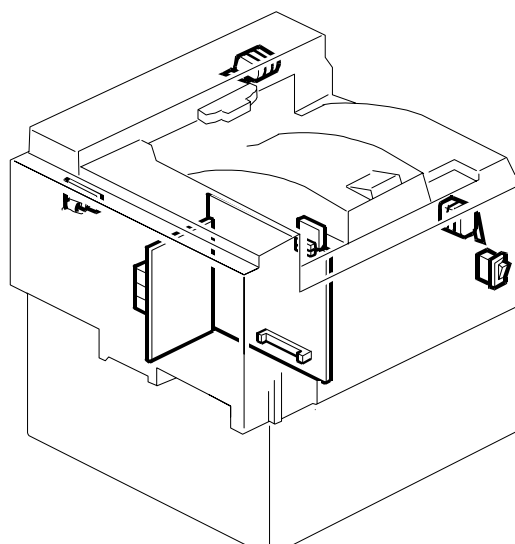
See Page 49

22.ELECTRICAL SECTION 1 (G035)



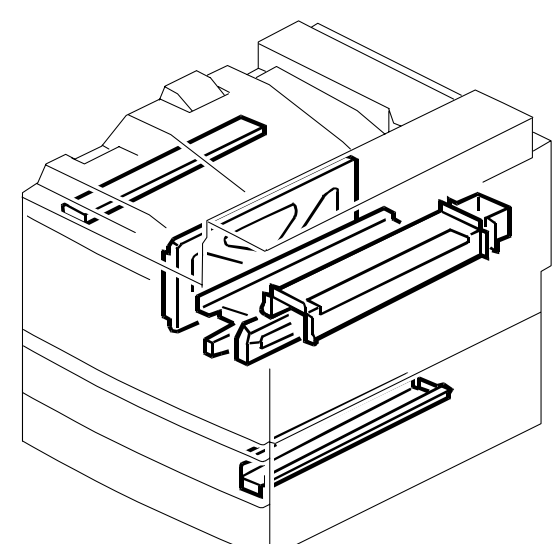
See Page 51

23.ELECTRICAL SECTION 2 (G035)



See Page 53

24.FRAME SECTION 1 (G035)

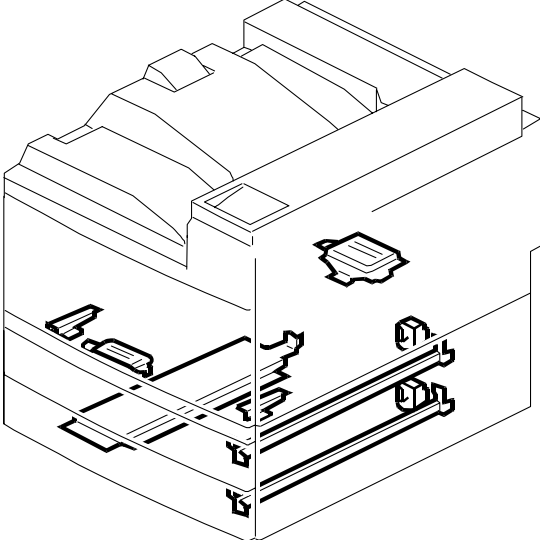


See Page 55



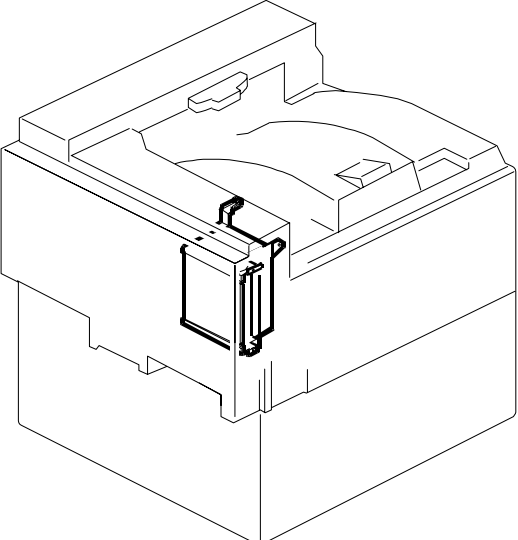
**LOCATION OF UNIT**

25.FRAME SECTION 2 (G035)



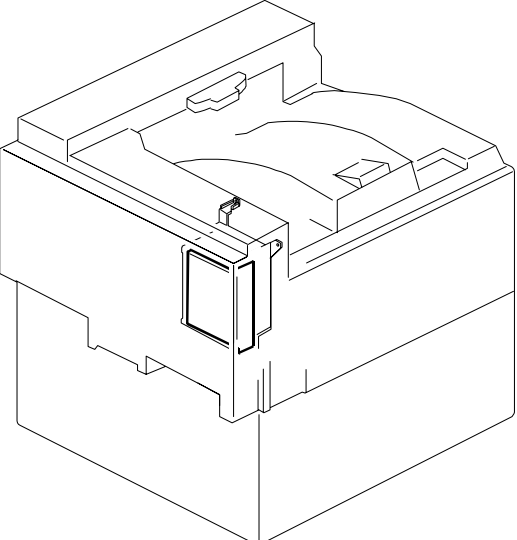
See Page 57

26.EXPANSION BOX (G035)



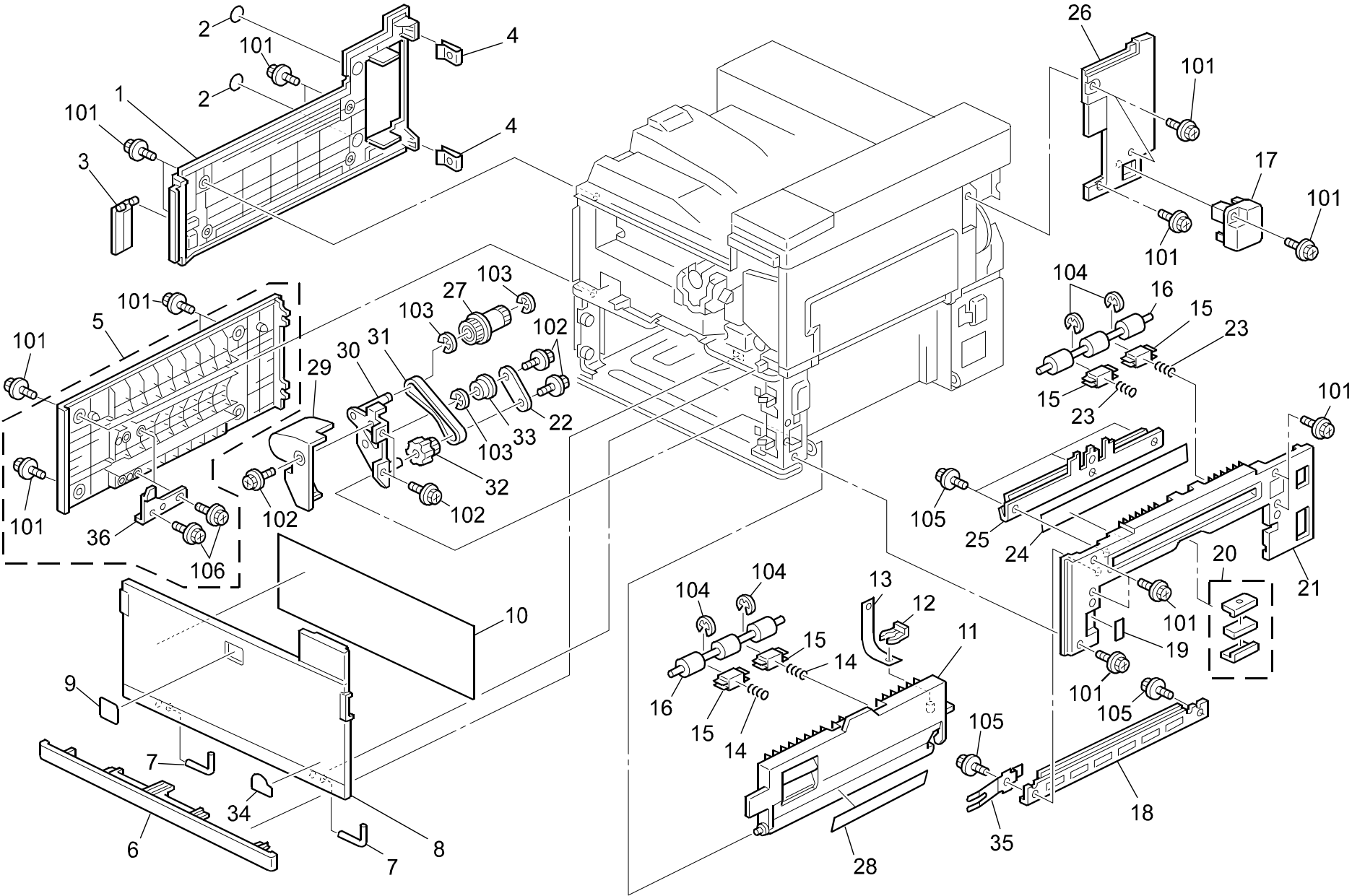
See Page 59

27.CONTROLLER UNIT (G035)



See Page 61

# 1.EXTERIOR 1 (G035)



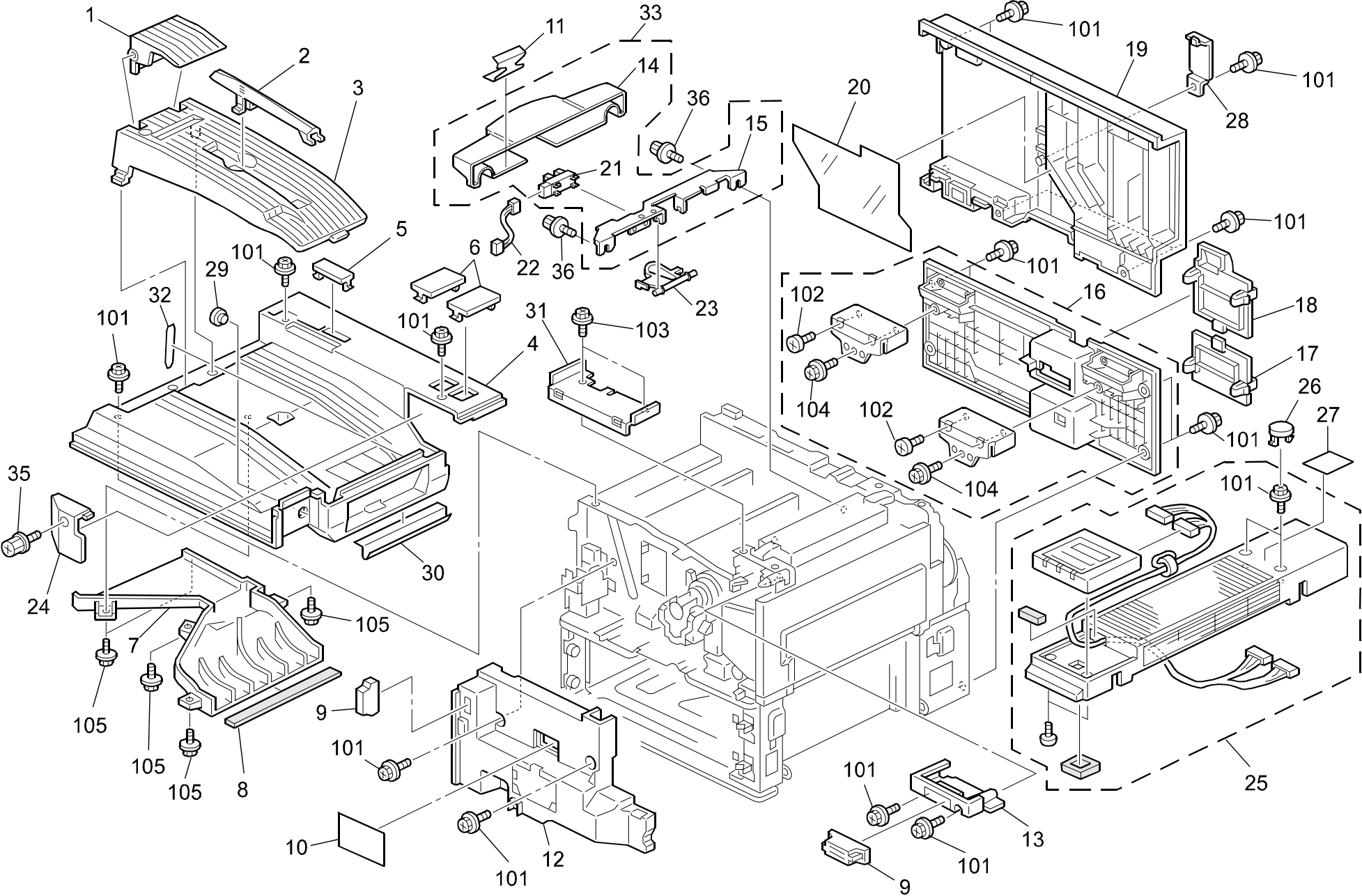
## 1.EXTERIOR 1 (G035)

Index No.	Part No.	Description	Q'ty Per Assembly
1	A285 1275	Cover - Left	1
2	G034 1383	Decal - Left - Adonis-P	2
3	A232 1282	Cap - Switch	1
4	A232 1284	Spring Holder	2
5	A232 1283	Left Cover - Paper Feed Sub-unit	1
6	A230 1268	Upper Cover - Paper Feed	1
7	G020 1332	Hinge - Front Cover	2
8	G035 1260	Front Cover (RIC)	1
8	G035 7021	Front Cover (OEM)	1
9	A134 1383	Decal - Emblem - RIC	1
10	G034 1380	Sheet - Operation Instructions	1
11	A232 2876	Lower Cover - Vertical Transport	1
12	5206 2686	Snap Ring	1
13	A232 2863	Stopper Band	1
14	AA06 3564	Tension Spring	2
15	AA08 0254	Bushing - M4	4
16	A232 2862	Driven Roller	2
17	A232 4810	Harness Cover - Duplex Unit	1
18	A232 2859	Lower Support Plate	1
19	AA00 1392	Decal - A1	1
20	AG07 0014	Magnet Catch	1
21	A232 2857	Cover - Vertical Transport	1
22	A232 2723	Support Plate - Knob	1
23	AA06 3563	Spring	2
24	A232 2860	Entrance Seal	1
25	A232 2858	Upper Support Plate	1
26	A232 1272	Right Rear Cover	1
27	AB03 0584	Timing Pulley - 15T	1
28	AA00 0204	Decal - Right Lower Cover	1
29	A232 2724	Knob Cover	1
30	A232 2720	Gear Bracket	1
31	AA04 3416	Timing Belt - 40S3M192	1
32	A232 2722	Knob	1
33	AB03 0564	Pulley - M17	1
34	AA00 1389	Large Decal - Energy Star	1

Index No.	Part No.	Description	Q'ty Per Assembly
35	A232 5838	Spring Plate - BICU	1
36	A232 1286	Stopper - Plate	2
37	G035 7072	Model Name Plate - SVN	1
37	G035 7071	Model Name Plate - GES	1
37	G035 7571	Model Name Plate - NST	1
37	G035 7572	Model Name Plate - REX	1
101	0451 3008H	Tapping Screw - 3x8	
102	0451 3006B	Tapping Screw - M3x6	
103	0720 0060E	Retaining Ring - M6	
104	0720 0030E	Retaining Ring - M3	
105	0450 3008B	Tapping Screw - M3x8	
106	0450 3012B	Tapping Screw -3x12	



# 2.EXTERIOR 2 (G035)



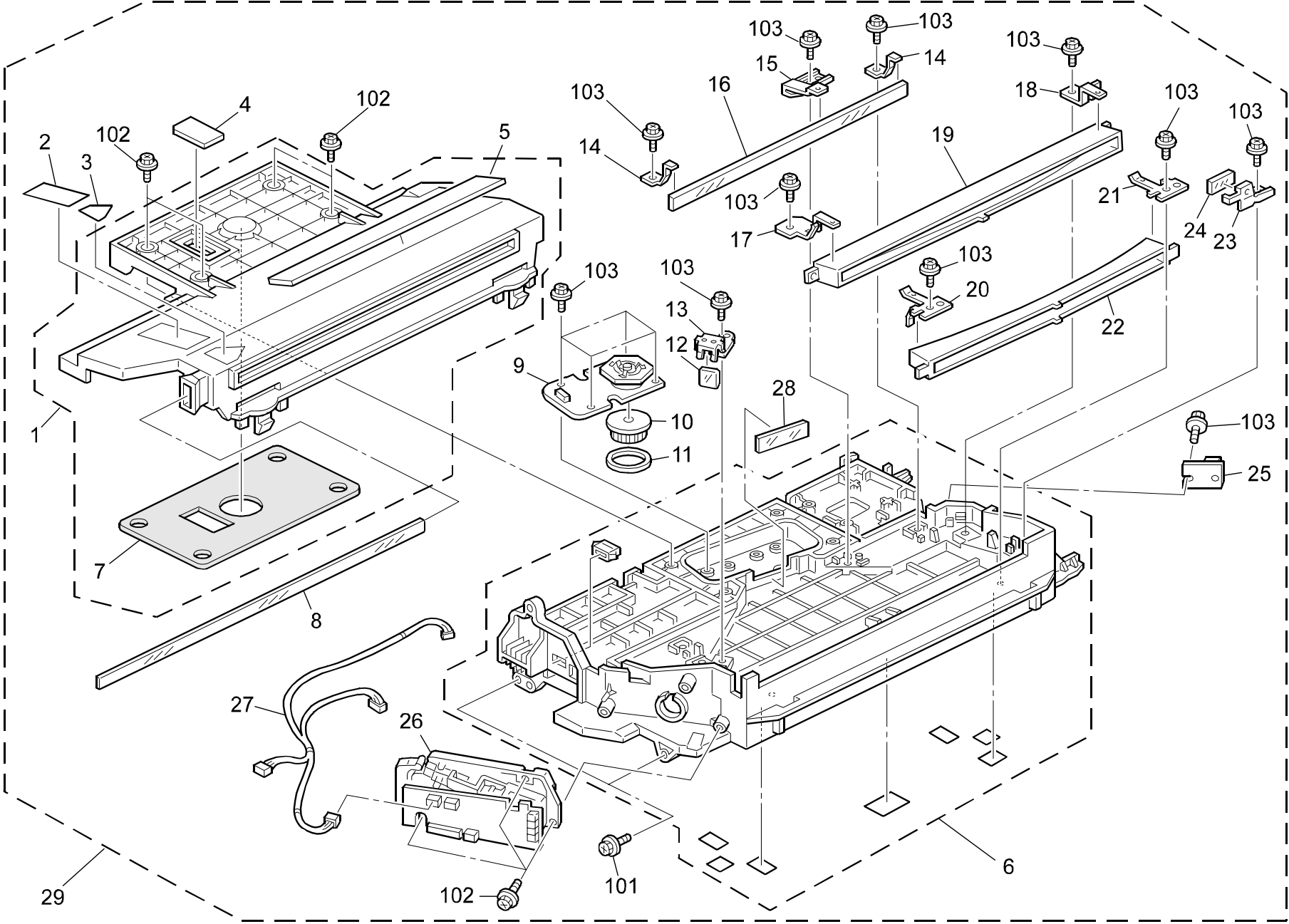
## 2.EXTERIOR 2 (G035)



Index No.	Part No.	Description	Q'ty Per Assembly
1	A232 4497	End Fence - Copy Tray	1
2	A232 4498	Copy Tray Guide	1
3	A232 4496	Sub Copy Tray	1
4	G034 1250	Cover - Upper	1
5	A232 1258	Cap - IC Card	1
6	A176 1317	Cap - 34x55	2
7	A232 1252	Duct - Upper Cover	1
8	AA15 3390	Sponge - 202x3.5x4	1
9	AG07 1010	Magnet Catch	2
10	A232 1381	Decal - Total Counter	1
11	G034 4497	Holder - Sensor Harness	1
12	A232 1375	Left Inner Cover	1
13	A232 1371	Inner Cover - Right Upper	1
14	A235 4492	Sensor Cover	1
15	A235 4493	Sensor Bracket	1
16	A232 7219	Lower Rear Cover	1
17	A232 1298	Lower Cap - Rear Cover	1
18	A232 1297	Upper Cap - Rear Cover	1
19	A232 1291	Rear Cover	1
20	A232 1173	Sheet - Duct	1
21	AW02 0056	Photointerruptor - EE-SX4235A-P1	1
22	A235 5410	Relay Sensor Harness	1
23	A235 4496	Sensor Actuator	1
24	G034 1253	Cover - Small - Upper Right	2
25	G035 7233	Operation Panel Assy - NA	1
25	G035 7633	Operation Panel Assy - EU	1
26	A176 1318	Cap - 16	1
27	G034 1384	Decal - Paper Jam	1
28	G034 1292	Rear Cover - CSS	1
29	A232 1257	Cap - Upper Cover	1
30	AA15 0685	Seal - 215x10	1
31	G034 1413	Bracket - Operation Sub Unit	1
32	A232 4499	Copy Tray Mylar	4
33	A235 4491	Paper Sensor Ass'y	1
34	A232 1299	Bracket	2

Index No.	Part No.	Description	Q'ty Per Assembly
35	G034 2993	Flanged Hexagonal Head Bolt - M3x6	1
36	G034 4231	Flanged Hexagonal Head Bolt - M3x8	2
101	0451 3008H	Tapping Screw - 3x8	
102	0452 3008Z	Bind Tapping Screw - M3x8	
103	0451 3006B	Tapping Screw - M3x6	
104	0450 3008B	Tapping Screw - M3x8	
105	0450 3006B	Tapping Screw - M3x6	

3.LASER UNIT (G035)

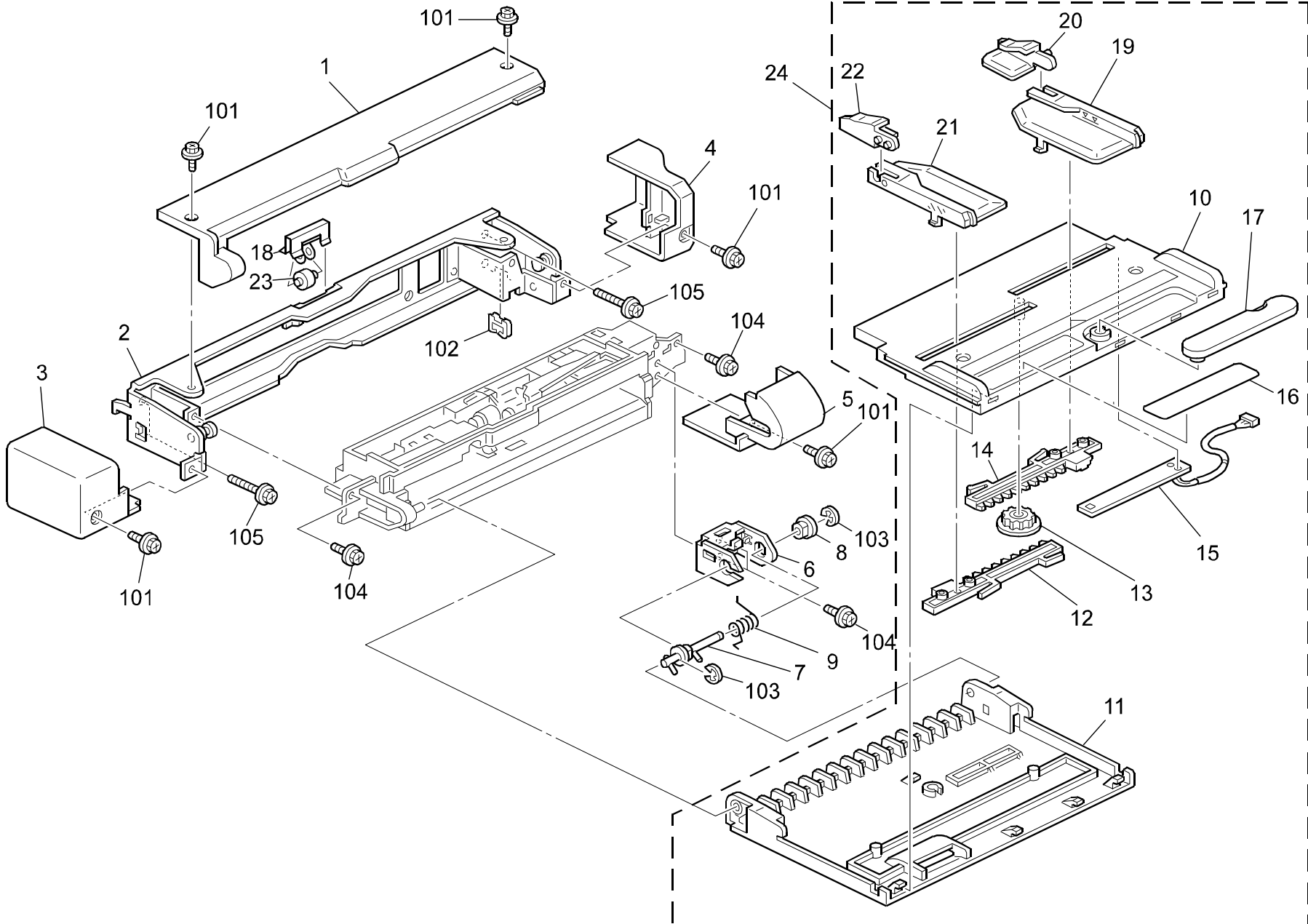


### 3.LASER UNIT (G035)

Index No.	Part No.	Description	Q'ty Per Assembly
1	A284 1904	Cover - Optical Housing	1
2	G020 1920	Decal - Laser Diode (115V)	1
2	G020 1918	Decal - Laser Diode (230V)	1
3	G020 1917	Decal - LD	1
4	A232 1904	Cap - Laser Unit Cover	1
5	A232 1971	Support Cover - Imaging Unit	1
6	A232 1900	Housing - Laser Unit	1
7	AA15 2403	Sponge - Laser Unit Cover	1
8	AC01 5025	Shield Glass	1
9	AX06 0180	Polygon Scanner - 27300rpm	1
10	A232 1918	Heatsink - Polygon Motor	1
11	A232 1920	Decal - Heatsink	1
12	G020 1966	Cylindrical Lens	1
13	A232 1927	Cylindrical Lens Holder	1
14	A232 1926	Mirror Holder	2
15	A232 1925	Middle Mirror Holder	1
16	G020 1964	1st Mirror	1
17	A232 1923	Front Holder - BTL	1
18	A232 1924	Rear Holder - BTL	1
19	G020 1969	BTL Lens	1
20	A232 1921	Front Holder - F Theta Mirror	1
21	A232 1922	Rear Holder - F Theta Mirror	1
22	G020 1968	F Theta Mirror	1
23	A232 1928	Holder - Sync. Detector Mirror	1
24	GC03 0020	Sync. Detector Mirror	1
25	A232 5310	Laser Sync. Detector	1
26	A284 1891	Laser Diode Unit	1
27	A232 5444	Harness - Laser Unit	1
28	AC01 5024	Shield Glass - Polygon Motor	1
29	G035 1870	Imaging Unit - Adonis-P - NA	1
29	A284 1870	Imaging Unit (230V)	1

Index No.	Part No.	Description	Q'ty Per Assembly
101	0951 3008B	Philips Screw With Flat Washer-m3x8	
102	0451 3010B	Tapping Screw - M3x10	
103	0450 3008B	Tapping Screw - M3x8	
104	0450 3010B	Tapping Screw - M3x10	

# 4.BY-PASS FEED UNIT 1 (G035)



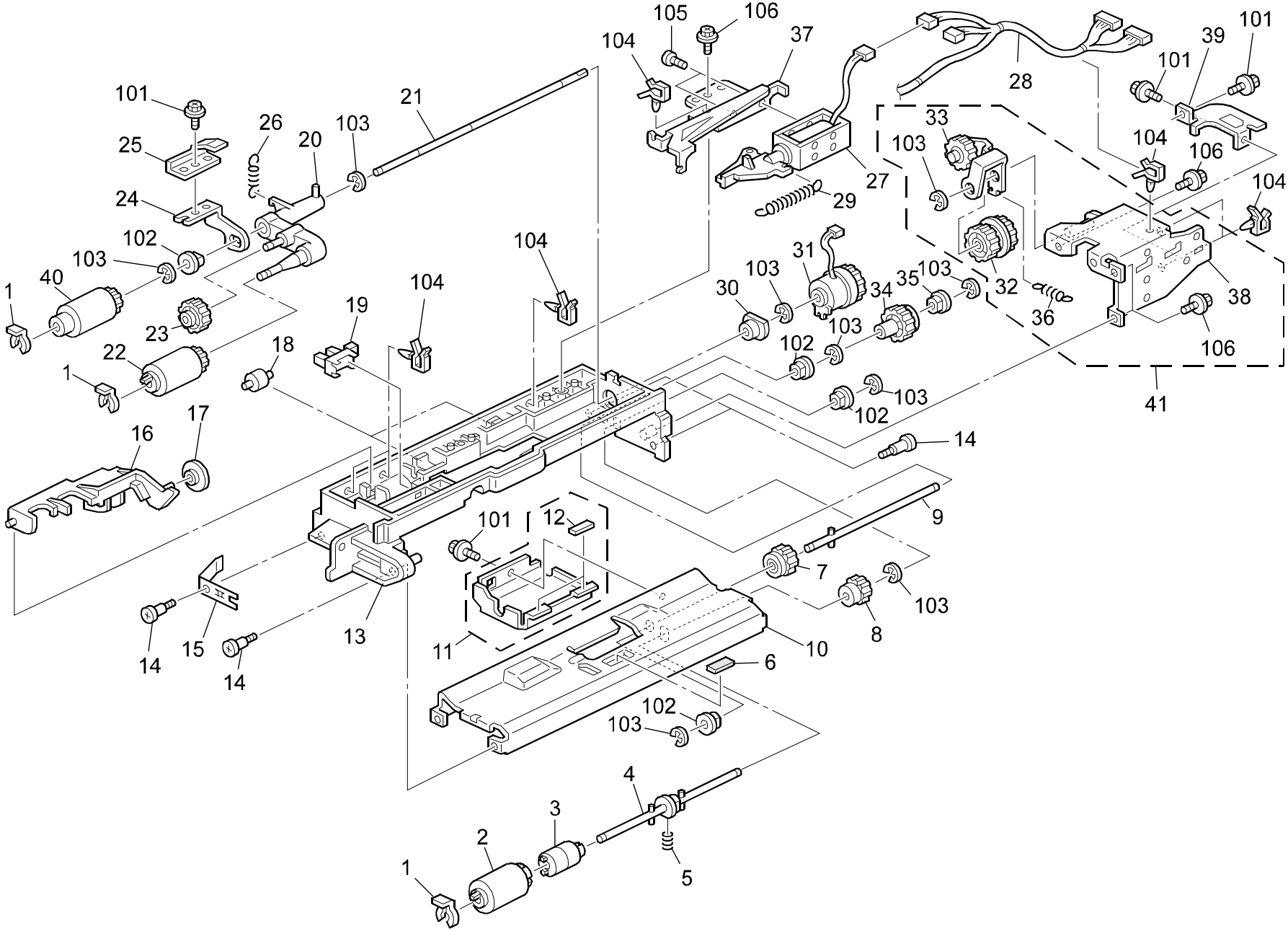


#### 4.BY-PASS FEED UNIT 1 (G035)

Index No.	Part No.	Description	Q'ty Per Assembly
1	A232 6106	Middle Lower Cover	1
2	A232 6095	Frame By-pass Unit Holder	1
3	A232 6109	Front Cover - By-pass Unit	1
4	A232 6108	Rear Cover - By-pass Unit	1
5	A232 6107	Middle Upper Cover	1
6	A232 6090	Bracket Positioning Pin	1
7	A232 6091	Positioning Pin	1
8	AA08 2070	Bushing - 8x16x7	1
9	AA06 6574	Torsion Spring	1
10	A232 6067	By-pass Feed Table	1
11	A232 6068	Cover By-pass Table	1
12	A232 6082	Front Rack	1
13	G011 3305	Gear - 16T	1
14	A232 6083	Rear Rack	1
15	A232 6080	Paper Size Detector	1
16	A232 6073	Decal - By-pass Feed	1
17	A232 6085	Guide By-pass Table	1
18	A232 6092	Roller - Holder	1
19	A232 6070	Rear Side Fence	1
20	A232 6072	Sub - Rear Fence	1
21	A232 6069	Front Side Fence	1
22	A232 6071	Sub - Front Fence	1
23	AF04 0559	Driven Roller - M9	1
24	A232 6009	By-pass Feed Table Ass'y	1

Index No.	Part No.	Description	Q'ty Per Assembly
101	0451 3008H	Tapping Screw - 3x8	
102	1105 0349	Edge Saddle	
103	0720 0060E	Retaining Ring - M6	
104	0451 3008B	Tapping Screw - M3x8	
105	0451 4010B	Tapping Screw - 4x10	

# 5.BY-PASS FEED UNIT 2 (G035)

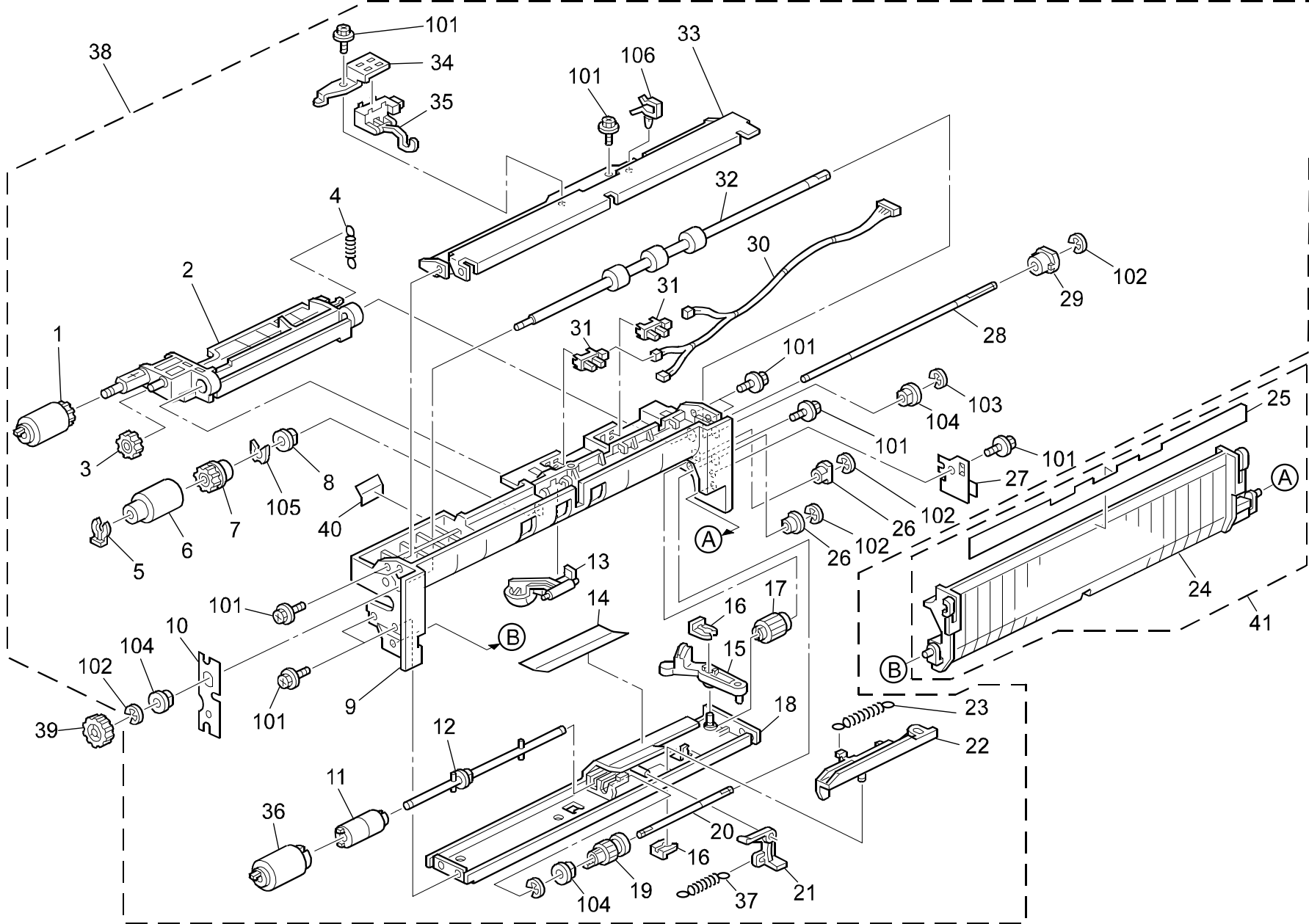


## 5.BY-PASS FEED UNIT 2 (G035)

Index No.	Part No.	Description	Q'ty Per Assembly
1	5447 2681	Snap Ring	3
2	<b>AF03 2036</b>	<b>Separation Roller</b>	<b>1</b>
3	A232 2783	Torque Limitter	1
4	A232 6033	Shaft Driven Roller	1
5	AA06 3499	Pressure Spring	1
6	AF01 3016	Bottom Plate Pad	1
7	AB01 1389	Gear - 20Z	1
8	AB01 1388	Gear - Z16	1
9	A232 6035	Shaft - Drive Roller	1
10	A232 6028	Guide Plate Paper Separator	1
11	A232 6038	Gear Cover	1
12	A134 2843	Spacer 6x30x1.5	2
13	A232 6022	Housing - By-pass Feed	1
14	5216 4198	Stepped Screw - Guide Plate	4
15	A232 6023	Grounding Plate - Reverse	1
16	A232 6055	Paper End Feeler	1
17	A134 2661	Feeler Roller	1
18	AF04 0031	Driven Roller	2
19	AW02 0056	Photointerruptor - EE-SX4235A-P1	1
20	A232 6043	Arm - Paper Pick-up	1
21	AA14 0660	Feed Shaft	1
22	<b>AF03 0036</b>	<b>Pick Up Roller</b>	<b>1</b>
23	AB01 1387	Gear - 23Z	1
24	A232 6044	Support Plate	1
25	A232 6046	Grounding Plate - Feed	1
26	AA06 3568	Pressure Spring	1
27	A232 6051	Pickup Solenoid	1
28	A232 5427	Harness By-pass Feed	1
29	AA06 3567	Tensior Spring	1
30	AA08 3010	Clutch Roller - 6x14x10	1
31	AX20 0140	Electrical Cluthc	1
32	AB01 7454	Gear - 24Z/30Z	1
33	A232 6059	Arm Tightener	1
34	AB01 1390	Gear - 27Z	1
35	GA08 0002	Bushing - 6mm	1

Index No.	Part No.	Description	Q'ty Per Assembly
36	AA06 3569	Spring	1
37	A232 6049	Solenoid Bracket	1
38	A232 6061	Tightener Bracket	1
39	A232 6065	Rail - By-pass Feed	1
40	<b>AF03 1036</b>	<b>Feed Roller</b>	<b>1</b>
41	A232 6057	Bracket - By-pass Feed Drive	1
101	0451 3008B	Tapping Screw - M3x8	
102	0805 3480	Bushing - 6mm	
103	0720 0040E	Retaining Ring - M4	
104	1105 0267	Harness Clamp - YMC-10-0	
105	0353 0040B	Screw - M3x4	
106	0450 3008B	Tapping Screw - M3x8	

# 6.PAPER FEED SECTION (G035)

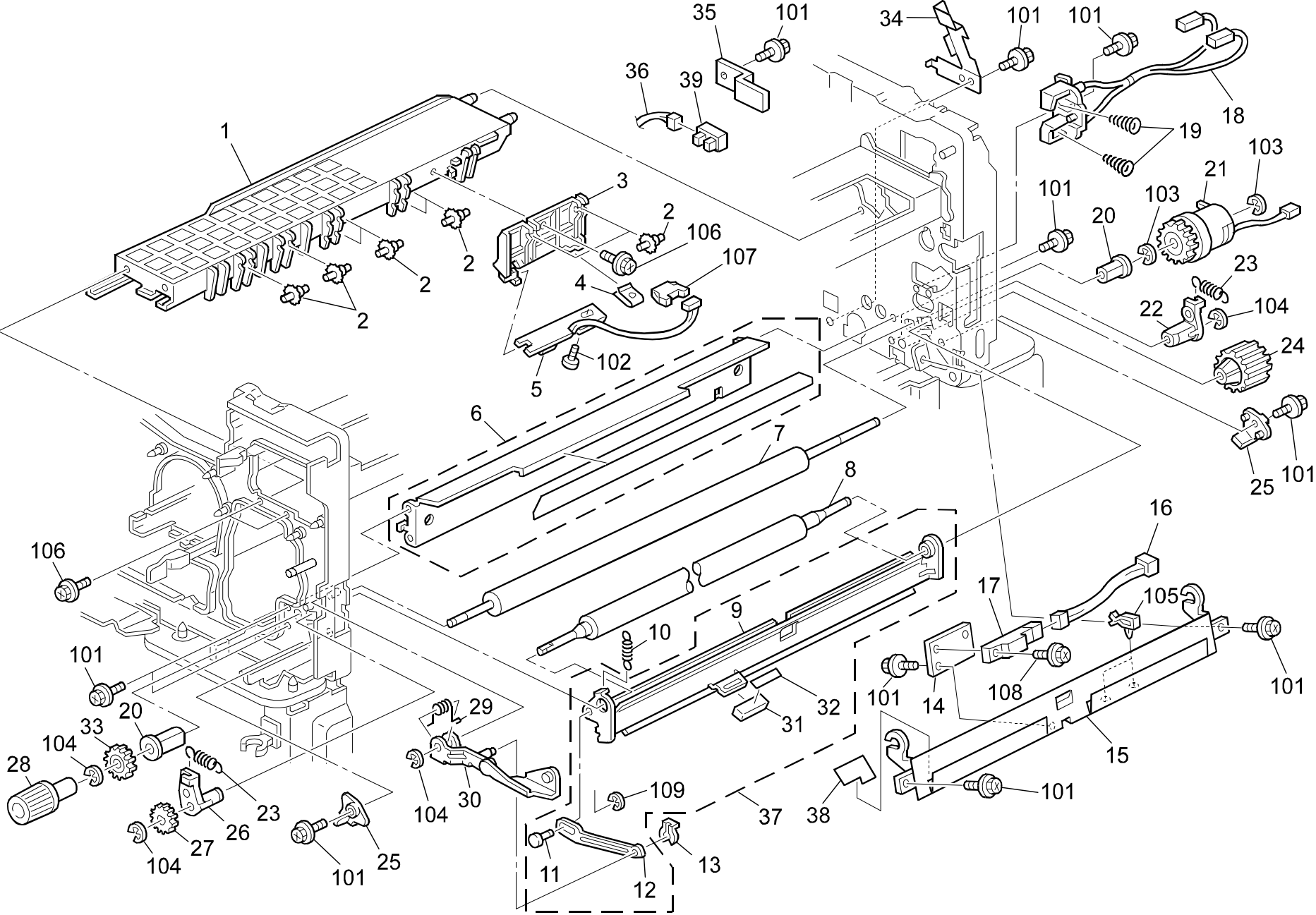


## 6.PAPER FEED SECTION (G035)

Index No.	Part No.	Description	Q'ty Per Assembly
<b>1</b>	<b>AF03 0035</b>	<b>Pick-up Roller</b>	<b>1</b>
2	A232 2763	Pick-up Arm	1
3	AB01 1188	Gear - 21Z	1
4	AA06 0691	Tension Spring	1
5	5447 2681	Snap Ring	1
<b>6</b>	<b>AF03 1035</b>	<b>Feed Roller</b>	<b>1</b>
7	AB01 1189	Gear - 18Z	1
8	AA08 2070	Bushing - 8x16x7	1
9	A232 2760	Housing - Paper Feed Unit	1
10	A232 2765	Front Grounding Plate	1
11	A232 2783	Torque Limiter	1
12	A232 2777	Shaft - Paper Separation	1
13	A232 2762	Paper End Feeler	1
14	A232 2782	Rear Feed Mylar	1
15	A232 2776	Release Lever	1
16	5206 2686	Snap Ring	2
17	AB01 0107	Gear - 23Z	1
18	A232 2770	Stay - Paper Separation	1
19	AB01 0106	Gear - 24Z	1
20	AA14 0656	Shaft - Gear	1
21	A232 2774	Pressure Lever	1
22	A232 2775	Link Lever	1
23	AA06 0692	Tension Spring	1
24	A232 2786	Guide Plate	1
25	A232 2787	Vertical Transport Guide	1
26	AA08 2072	Bushing - M6	2
27	A232 2764	Rear Grounding Plate	1
28	AA14 0655	Shaft - Paper Feed	1
29	AA08 3014	One-way Clutch	1
30	A232 5428	Harness - Paper Feed Unit	1
31	AW02 0056	Photointerruptor - EE-SX4235A-P1	2
32	AF02 0404	Transport Roller	1
33	A232 2780	Stay - Paper Feed	1
34	A232 2781	Sensor Bracket	1
35	AW02 0096	Photointerruptor	1

Index No.	Part No.	Description	Q'ty Per Assembly
<b>36</b>	<b>AF03 2035</b>	<b>Separation Roller</b>	<b>1</b>
37	AA06 0693	Tension Spring	1
38	A232 2750	Paper Feed Unit Ass'y	1
39	AB01 4090	Gear - 18Z	1
40	A232 2766	Feed Mylar	1
41	A232 2785	Vertical Guide	1
101	0451 3008B	Tapping Screw - M3x8	
102	0720 0040E	Retaining Ring - M4	
103	0720 0060E	Retaining Ring - M6	
104	0805 3480	Bushing - 6mm	
105	0805 0089	Retaining Ring - M4	
106	1105 0283	Clamp	

7.PAPER REGISTRATION (G035)



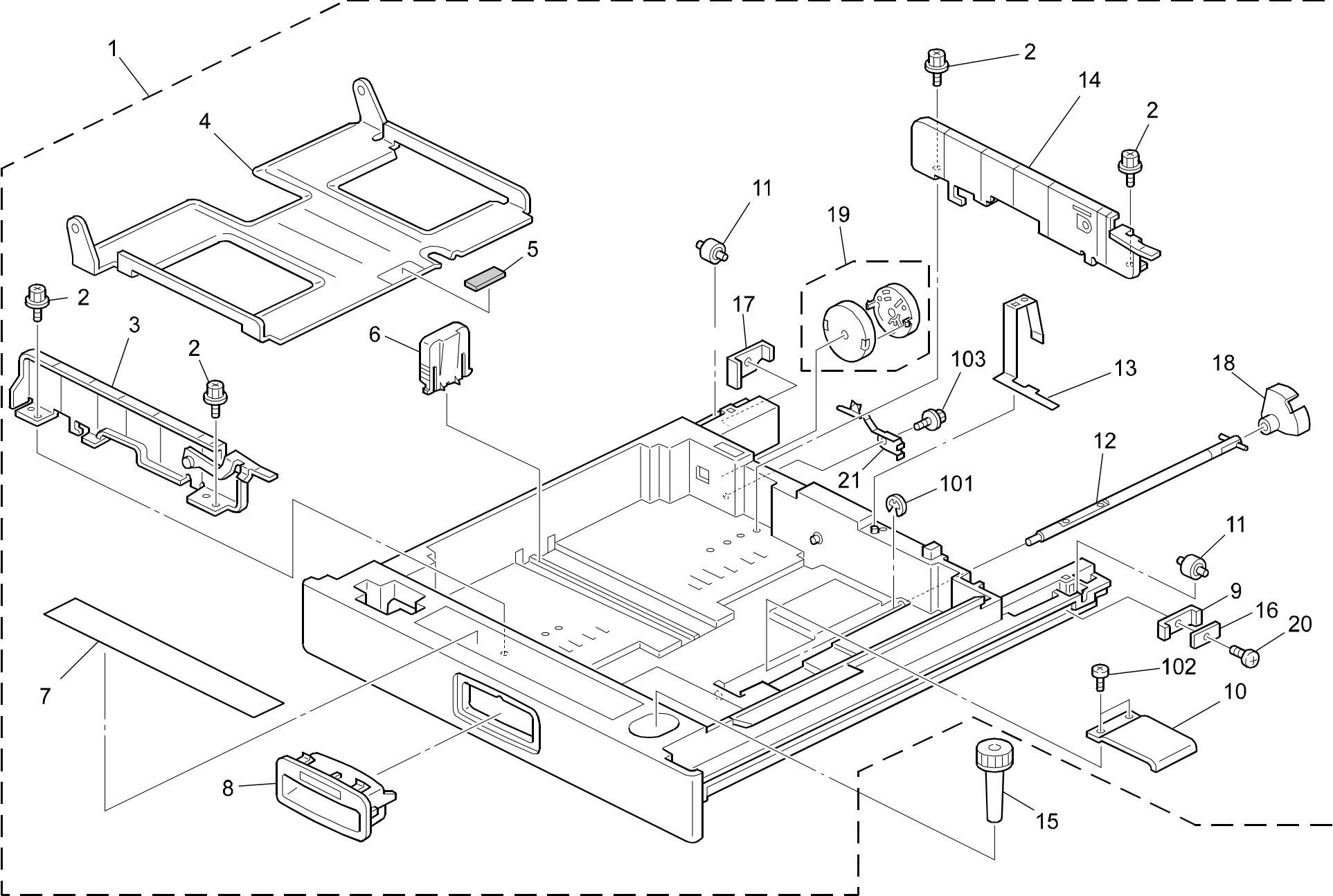
## 7.PAPER REGISTRATION (G035)



Index No.	Part No.	Description	Q'ty Per Assembly
1	A232 2365	Guide Rail - PCU	1
2	A232 2374	Spur	8
3	A232 2366	Holder - ID Sensor	1
4	A232 1284	Spring Holder	1
5	A232 2367	ID Sensor	1
6	A232 1072	Lower Stay - PCU	1
7	AF02 0410	Registration Roller	1
8	AF02 1059	Driven Registration Roller	1
9	A232 2574	Upper Entrance Guide	1
10	AA06 2305	Tension Spring	1
11	AA14 9291	Pin - Link	1
12	A232 2596	Link Lever	1
13	5206 2686	Snap Ring	1
14	A232 2594	Bracket - Registration Sensor	1
15	A232 2583	Lower Entrance Guide	1
16	A232 5420	Harness - Registration Sensor	1
17	AW01 0048	Photo Sensor - GP2A28N1	1
18	AD02 1127	Receptacle	1
19	AA06 3304	Terminal Spring	2
20	AA08 2080	Bushing - M8	2
21	AX20 0138	Electrical Clutch	1
22	AA08 0230	Rear Busing - M6	1
23	AA06 2304	Pressure Spring	2
24	AB01 4047	Gear - 29Z	1
25	A232 2578	Stopper - Guide Plate	2
26	AA08 0229	Front Busing - M6	1
27	AB01 4051	Gear - 16Z	1
28	AG05 0085	Registration Roller Knob	1
29	AA06 6577	Torsion Spring	1
30	A232 3985	Link - Cover	1
31	G010 3039	Knob - Entrance Guide	1
32	AA00 1393	Decal - A2	1
33	AB01 3485	Gear - 20Z	1
34	G034 1061	Feeler - New Unit Detection	1
35	G034 3199	Bracket - New Article Sensor	1

Index No.	Part No.	Description	Q'ty Per Assembly
36	G035 5404	Harness - Development - Detection	1
37	A232 2572	Guide Plate - Entrance - Upper	1
38	A232 3198	Mylar - Regist Guide Plate	1
39	AW02 0056	Photointerruptor - EE-SX4235A-P1	1
101	0451 3006B	Tapping Screw - M3x6	
102	0353 0060B	Philips Pan Head Screw - M3x6	
103	0720 0060E	Retaining Ring - M6	
104	0720 0040E	Retaining Ring - M4	
105	1105 0283	Clamp	
106	0450 3008B	Tapping Screw - M3x8	
107	1102 6246	Relay Connector - 4P	
108	0313 0060B	Philips Pan Head Screw - M3x6	
109	0720 0020E	Retaining Ring - M2	

8.PAPER TRAY UNIT (G035)



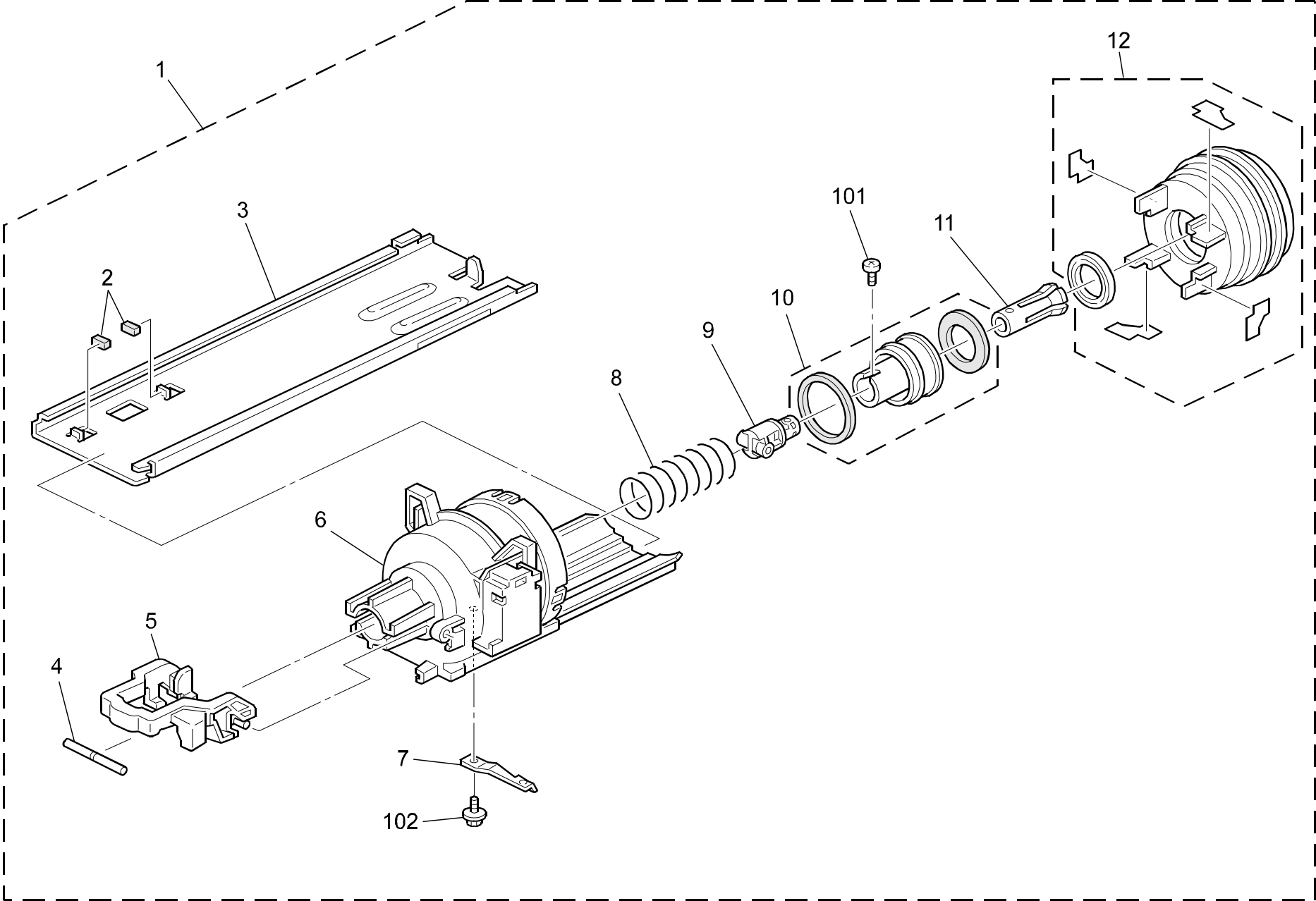


## 8.PAPER TRAY UNIT (G035)

Index No.	Part No.	Description	Q'ty Per Assembly
1	G034 2951	Paper Tray Assy - A3	1
2	G034 2986	Flanged Hexagonal Head Bolt - M4x8	4
3	A232 2979	Front Side Fence	1
4	A232 2977	Bottom Plate	1
5	AF01 3014	Bottom Plate Pad	1
6	AF01 7020	End Fence	1
7	AA00 3003	Decal - Paper Set	1
8	A232 2988	Handle - Paper Tray	1
9	A232 2997	Right Stopper - Paper Tray	1
10	A232 2975	Bottom Lift Plate	1
11	A232 2987	Roller - Paper Tray	2
12	A232 2972	Bottom Lift Shaft	1
13	A232 2976	Grounding Plate - Paper Tray	1
14	A232 2983	Rear Side Fence	1
15	G034 2987	Socket	1
16	A232 2999	Right Spacer	1
17	A232 2978	Left Shoe	1
18	A235 2979	Feeler - Paper Height Sensor	1
19	G035 2985	Paper Size Sensor Actuator - NA	1
19	G035 2986	Paper Size Sensor Actuator - EU	1
20	AA14 3762	Tapping Screw - M3x10	1
21	G034 2991	Sprint Plate - Paper Size Sensor	1

Index No.	Part No.	Description	Q'ty Per Assembly
101	0720 0060E	Retaining Ring - M6	
102	0353 0060B	Philips Pan Head Screw - M3x6	
103	0450 3008b	Tapping Screw - M3x8	

9.TONER HOPPER UNIT (G035)



### 9.TONER HOPPER UNIT (G035)

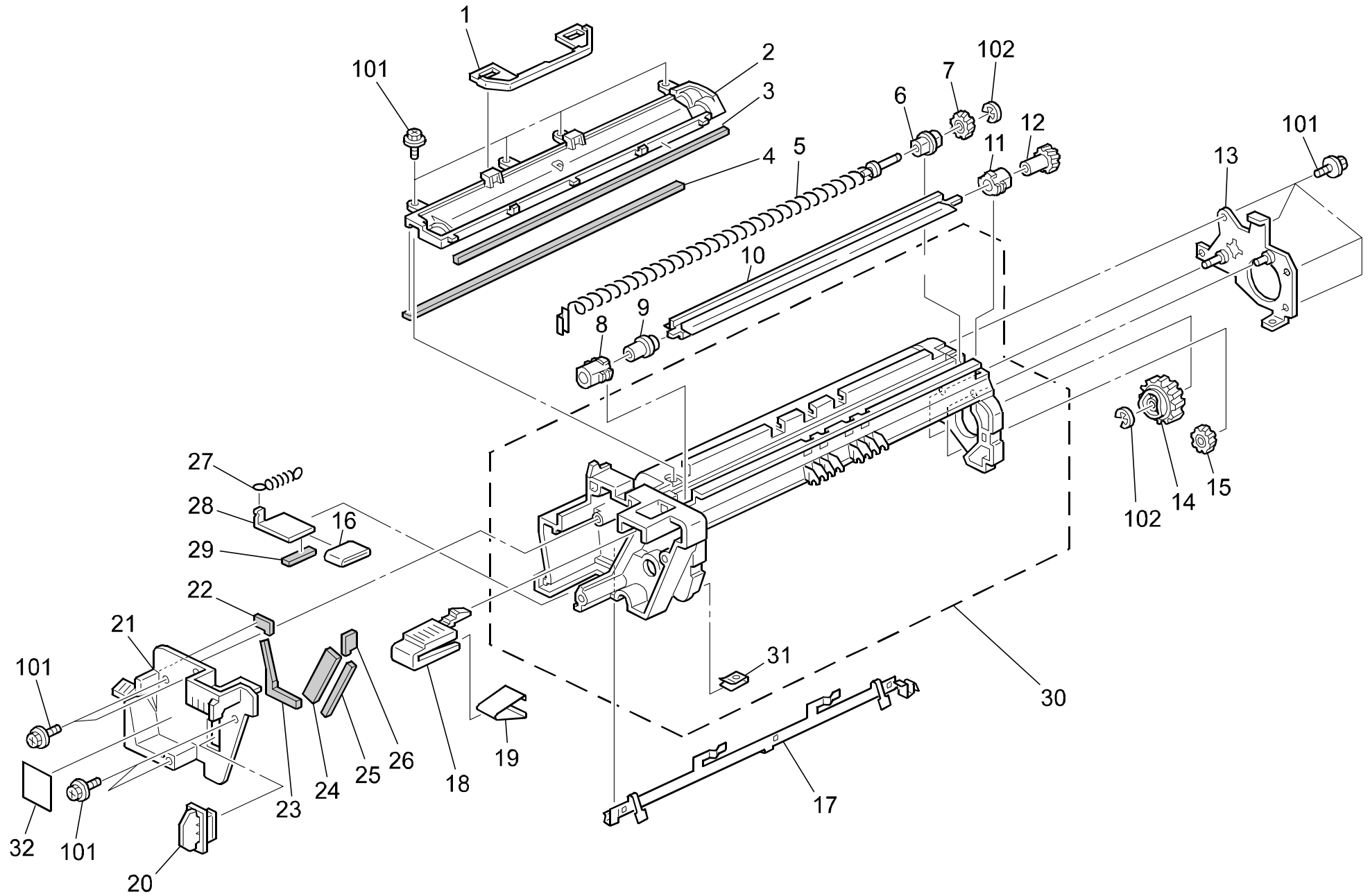


Index No.	Part No.	Description	Q'ty Per Assembly
1	A232 7666	Toner supply Unit - 230V (RIC)	1
1	A232 7466	Toner supply Unit (OEM)	1
2	A232 3266	Seal - Slide Rail	2
3	A232 3262	Slide Rail - Toner Supply	1
4	AA14 5810	Slide Shaft	1
5	A232 3261	Handle - Toner Supply	1
6	A232 3230	Case - Toner Supply Ass'y	1
7	A232 3263	Spring Plate - Toner Bottle	1
8	AA06 3566	Pressure Spring	1
9	A232 3251	Chuck Shaft	1
10	A232 3252	Slider Ass'y	1
11	A134 3180	Bottle Chuck	1
12	G034 3240	Cover - Toner Bottle	1



Index No.	Part No.	Description	Q'ty Per Assembly
101	0452 3010B	Tapping Bind Screw - M3x10	
102	0450 3008B	Tapping Screw - M3x8	

# 10.PCU UNIT 1 (G035)

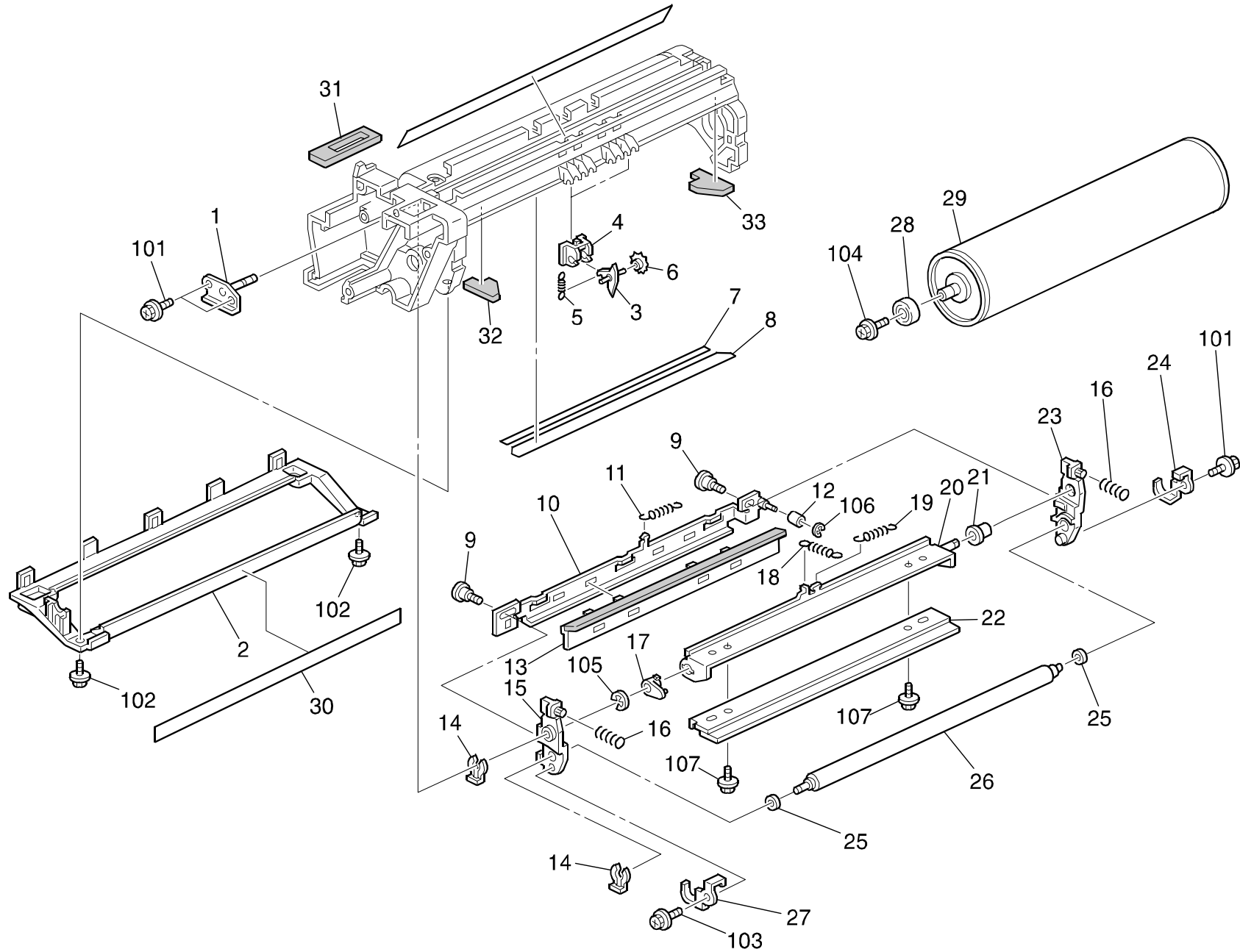


## 10.PCU UNIT 1 (G035)

Index No.	Part No.	Description	Q'ty Per Assembly
1	A232 2293	Handle - PCU	1
2	A232 2281	Cover - Cleaning Unit	1
3	A232 2420	Right Seal - Cleaning Cover	1
4	A232 2419	Left Seal - Clening Cover	1
5	AD04 3050	Toner Collection Coil	1
6	A232 2292	Bushing - Toner Collection Coil	1
7	AB01 1377	Gear - 14Z	1
8	A232 2289	Front Bushing - Collection Mylar	1
9	A232 2288	Shaft - Toner Collection Mylar	1
10	AD04 4000	Toner Collection Mylar	1
11	A232 2290	Bushing - Collection Mylar	1
12	AB01 1378	Gear - 19Z	1
13	A232 2294	Idler Bracket	1
14	AB01 1380	Cam - Cleaning Blade	1
15	AB01 1379	Gear - 19Z	1
16	A232 2322	Shield - Shutter - Toner Supply	1
17	A232 2403	Receptacle - Charge Roller	1
18	G034 2329	Stopper - PCU	1
19	A232 2408	Spring Plate	1
20	A232 2328	Cap - Toner Supply	1
21	A232 2323	Front Cover - PCU	1
22	A232 2417	Seal - 1x7x12.5	1
23	A232 2413	Seal - Front Lower	1
24	A232 2414	Seal - 2x20x45	1
25	A232 2416	Seal - 1x3x80	1
26	A232 2412	Seal - 2x7x14.5	1
27	AA06 2303	Tension Spring	1
28	A232 2321	Shutter - Toner Supply	1
29	A232 2418	Seal - Shutter	1
30	A232 7365	Upper Frame - PCU	1
31	A232 1284	Spring Holder	1
32	G034 2454	Decal - Caution - PCU	1

Index No.	Part No.	Description	Q'ty Per Assembly
101	0450 3008B	Tapping Screw - M3x8	
102	0720 0040E	Retaining Ring - M4	

# 11.PCU UNIT 2 (G035)

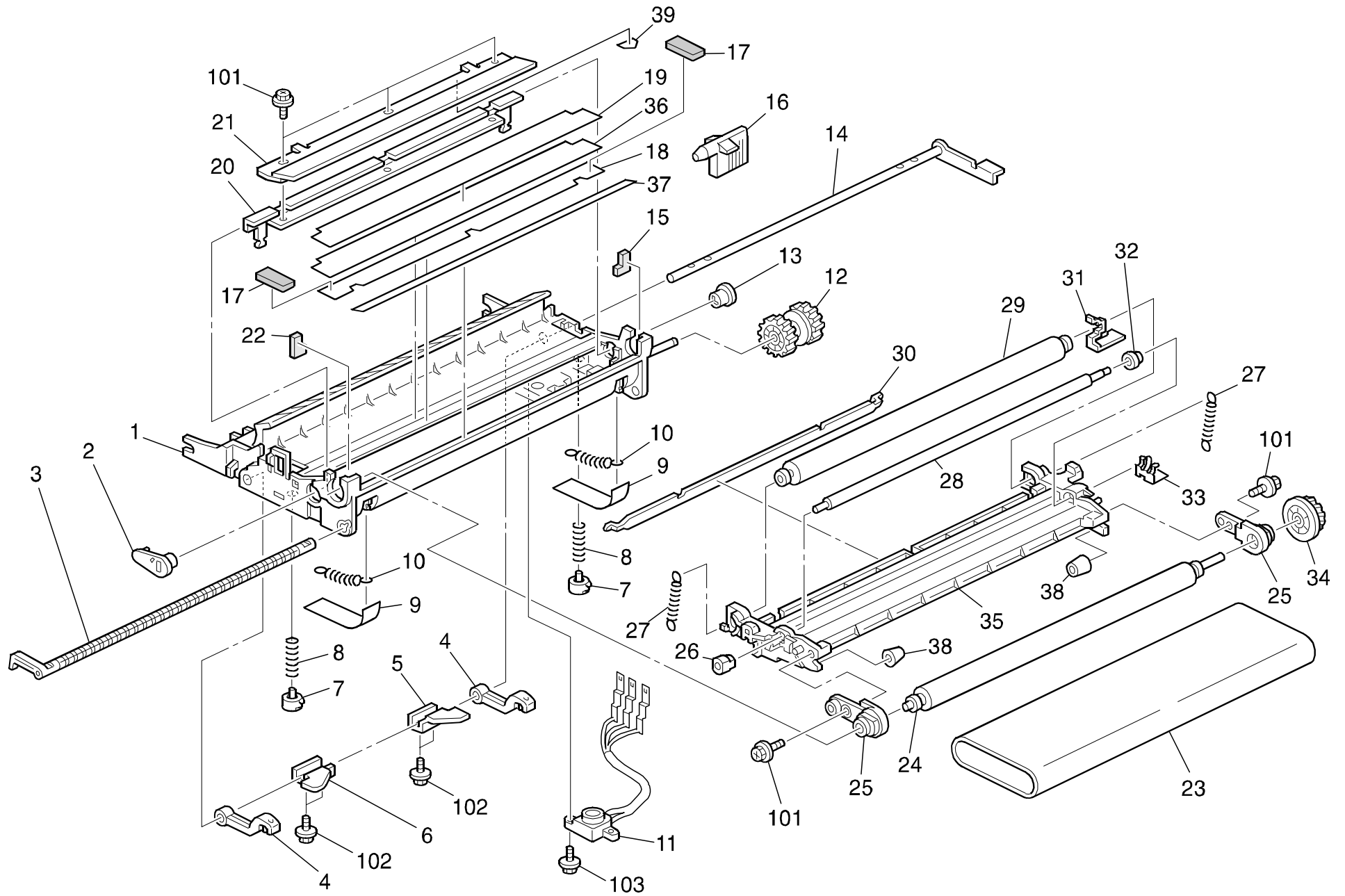


## 11.PCU UNIT 2 (G035)

Index No.	Part No.	Description	Q'ty Per Assembly
1	A232 2316	Stud - Cleaning Bracket	1
2	A232 2406	Lower Frame - OPC	1
<b>3</b>	<b>AD02 5021</b>	<b>Pick-off Pawl</b>	<b>2</b>
4	A232 2340	Holder - Pick-off Pawl	2
5	AA06 2310	Pressure Spring	2
6	A232 2339	Spur	2
7	A232 2280	Tape - Entrance Seal	1
8	AD04 7023	Cleaning Entrance Seal	1
9	A232 2356	Stepped Screw - M6	2
10	A232 2298	Bracket - Charge Cleaning	1
11	AA06 2301	Tension Spring	1
12	A232 2300	Roller - Cleaning	1
<b>13</b>	<b>A232 2430</b>	<b>Cleaning Pad</b>	<b>1</b>
14	5447 2681	Snap Ring	2
15	A232 2303	Front Arm - Charge Unit	1
16	AA06 3561	Pressure Spring	2
17	A232 2315	Front Bushing - Cleaning Bracket	1
18	AA06 2299	Pressure Spring	1
19	AA06 2300	Tension Spring	1
20	A232 2310	Bracket - Cleaning Blade	1
21	A232 2318	Collar - Cleaning	1
<b>22</b>	<b>A232 2353</b>	<b>Cleaning Blade Ass'y</b>	<b>1</b>
23	A232 2305	Rear Arm - Charge Unit	1
24	A232 2308	Rear Terminal - Charge Roller	1
25	A232 2421	Bushing - 6x10x3	2
<b>26</b>	<b>AD02 7006</b>	<b>Charge Roller</b>	<b>1</b>
27	A232 2354	Front Terminal - Charge Roller	1
28	A232 3553	Ball Bearing - 8x16x5	1
29	A230 9510	OPC Drum	1
30	A232 2422	Guide PCU	1
31	A232 2279	Shield - Toner Supply - Entrance	1
32	A232 2277	Front Seal	1
33	A232 2278	Rear Seal	1

Index No.	Part No.	Description	Q'ty Per Assembly
101	0450 3008B	Tapping Screw - M3x8	
102	0451 3008B	Tapping Screw - M3x8	
103	0450 3006B	Tapping Screw - M3x6	
104	0450 4010B	Tapping Screw - 4x10	
105	0720 0040E	Retaining Ring - M4	
106	0720 0015E	Retaining Ring - 1.5	
107	0451 3006B	Tapping Screw - M3x6	

## 12.TRANSFER UNIT 1 (G035)



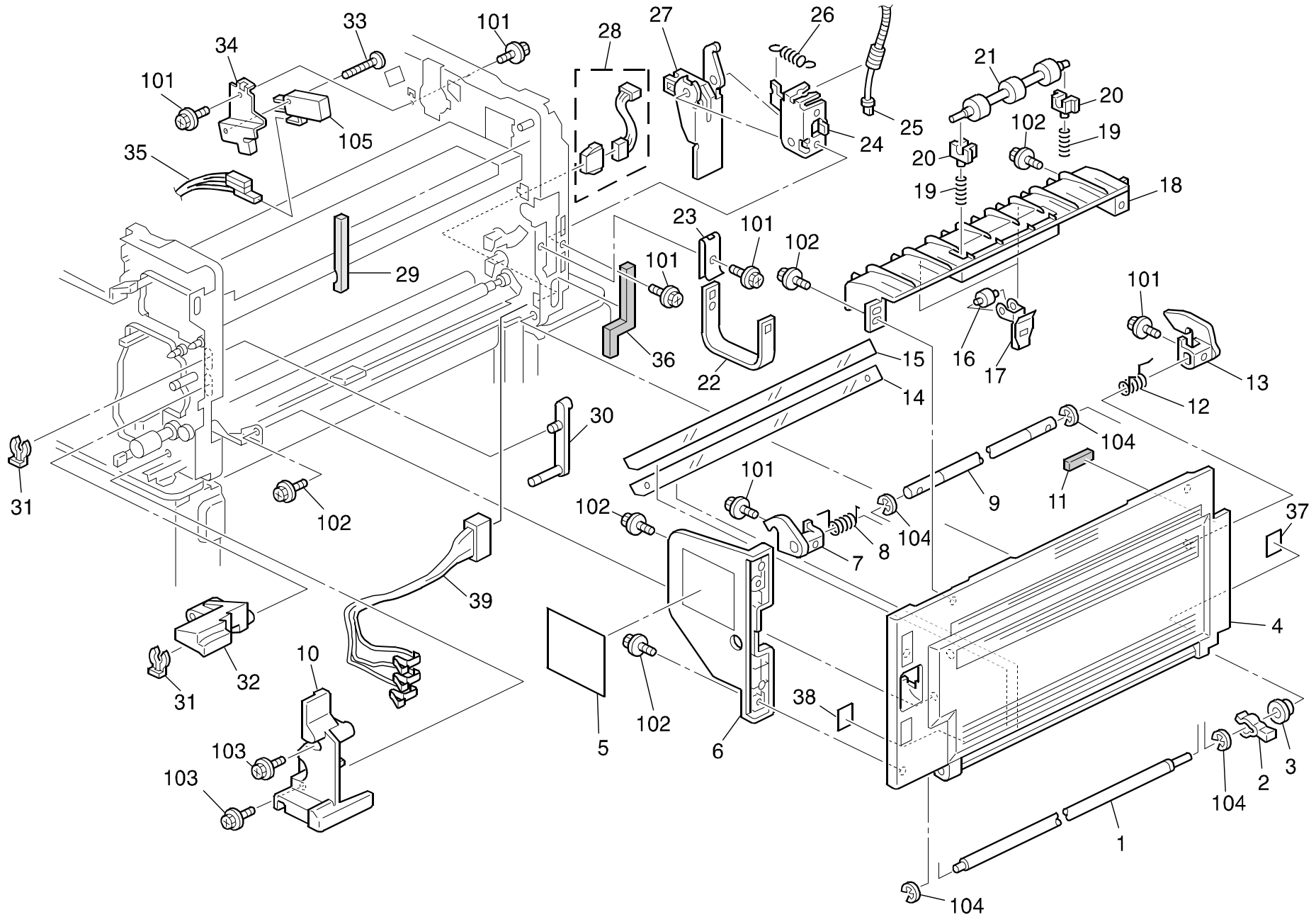


## 12.TRANSFER UNIT 1 (G035)

Index No.	Part No.	Description	Q'ty Per Assembly
1	G035 3900	Case - Transfer Unit - Adonis	1
2	A232 3925	Front Bushing - Cleaning Holder	1
3	G034 3935	Shaft - Transfer Unit Stopper	1
4	A232 3916	Pressure Lever - Transfer Belt	2
5	A232 3911	Rear Lever - Transfer Belt	1
6	A232 3912	Front Lever - Transfer Belt	1
7	A232 3921	Spring Anchor	2
8	AA06 3305	Torsion Spring	2
9	AA15 0401	Seal - 70x20	2
10	AA06 0711	Pressure Spring	2
11	AW31 0006	Toner Overflow Sensor	1
12	AB01 7429	Gear - 27Z	1
13	A232 3924	Rear Bushing - Cleaning Holder	1
14	A232 3917	Release Lever - Transfer Belt	1
15	A232 3908	Seal - Rear Case	1
16	A232 3913	Bin - Release Lever	1
17	A232 3927	Shield - Transfer Belt - Exit	2
18	A232 3905	Seal - Shield Plate	1
19	A232 3907	Seal - Transfer Exit	1
20	A232 3923	Bracket - Cleaning Blade	1
21	<b>A232 3830</b>	<b>Cleaning Blade - Transfer Belt</b>	<b>1</b>
22	A232 3909	Seal - Front Case	1
23	<b>A232 3880</b>	<b>Transfer Belt</b>	<b>1</b>
24	A232 3894	Drive Roller - Transfer Belt	1
25	A232 3893	Arm - Transfer Belt	2
26	AA08 0246	Bushing - Bias Rollr	1
27	AA06 0712	Torsion Spring	2
28	A232 3889	Bias Roller	1
29	A232 3885	Driven Roller - Transfer Unit	1
30	A232 3883	Spring Plate - Transfer Unit	1
31	A232 3887	Rear Terminal - Transfer Belt	1
32	AA08 2054	Bushing - M4	1
33	A232 3891	Bias Terminal	1
34	AB01 1190	Gear - 25Z	1
35	A232 3882	Frang - Transfer Unit	1

Index No.	Part No.	Description	Q'ty Per Assembly
36	A232 3906	Seal - Rear Transfer Exit	1
37	A232 3904	Entrance Mylar - Transfer Unit	1
38	A232 3926	Transfer Belt Roller	2
39	A232 3928	Toner Guide Mylar	1
101	0451 3006B	Tapping Screw - M3x6	
102	0951 3006B	Philips Screw With Flat Washer - M3x6	
103	0450 3008B	Tapping Screw - M3x8	

# 13. TRANSFER UNIT 2 (G035)

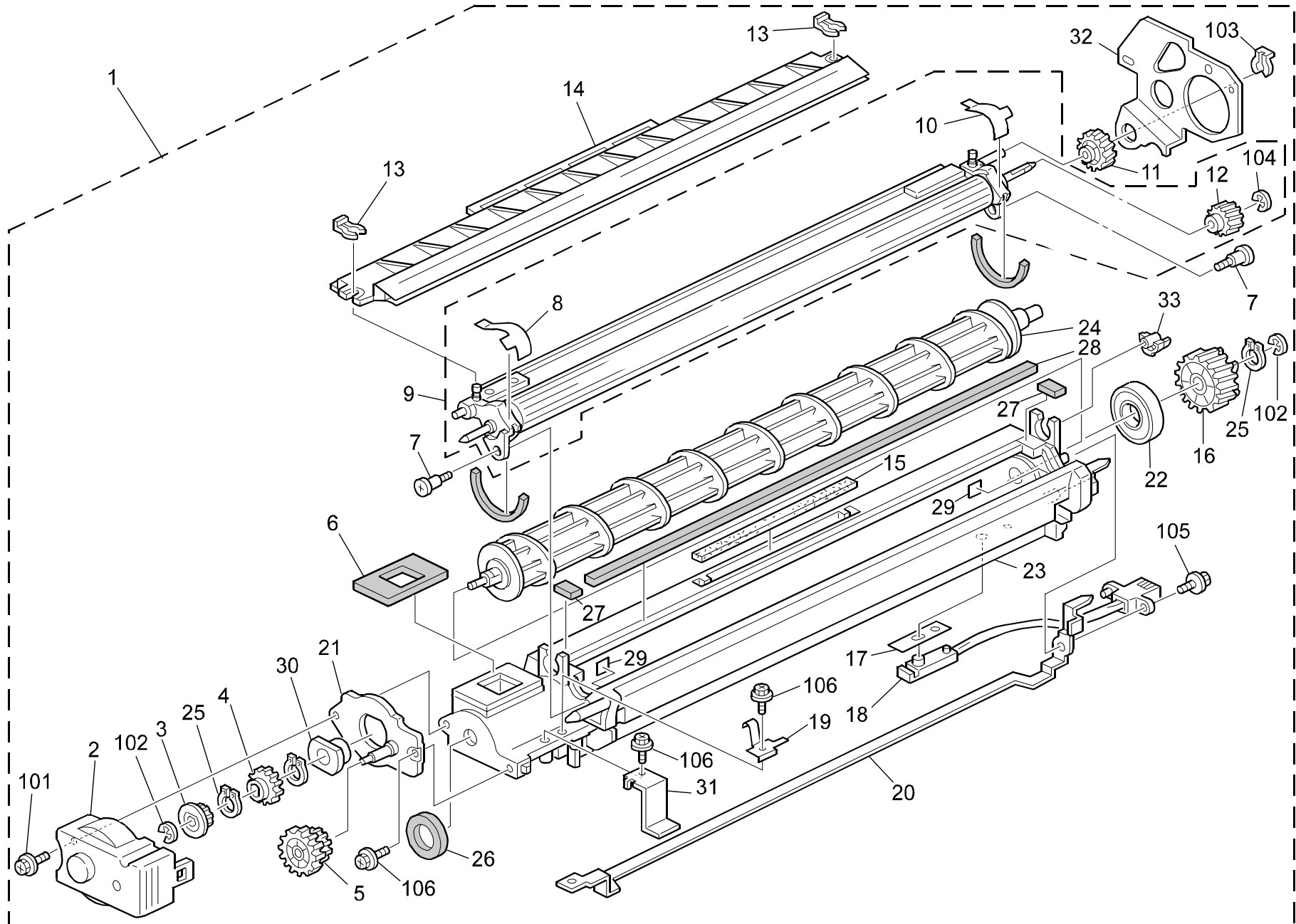


### 13.TRANSFER UNIT 2 (G035)

Index No.	Part No.	Description	Q'ty Per Assembly
1	A232 3941	Fulcrum Pin - Right Cover	1
2	A232 3942	Stopper - Right Cover	1
3	AA08 2079	Bushing - 6x8x5.8	1
4	A232 3940	Right Cover	1
5	A232 3991	Decal - Shield Cover	1
6	A232 3977	Shield Cover	1
7	A232 3945	Front Hook - Right Cover	1
8	AA06 6575	Torsion Spring	1
9	AA14 0666	Shaft - Hook	1
10	G034 1373	Inner Cover - Right	1
11	AA15 3392	Sponge - 24x6x5	1
12	AA06 6576	Torsion Spring	1
13	A232 3948	Rear Hook - Right Cover	1
14	A232 3999	Lower Entrance Guide	1
15	A232 3998	Upper Entrance Guide	1
16	AF04 0559	Driven Roller - M9	2
17	A232 4493	Roller Holder	2
18	A232 4491	Guide Plate - Fusing Exit	1
19	AA06 3306	Tension Spring	2
20	AA08 0232	Bushing - M4	2
21	AF02 0408	Driven Roller - M16	1
22	A232 3963	Band Stopper	1
23	A232 3962	Spring Plate - Band Stopper	1
24	A232 1160	Bracket - Switch Lever	1
25	AA05 1027	Wire - Fusing Drive	1
26	AA06 0689	Tension Spring	1
27	A232 1161	Lever - Interlock Switch	1
28	A232 5421	Harness - Toner Overflow Sensor	1
29	AA15 3393	Frame Seal - Rear Vertical	1
30	A232 3950	Hook Lever	1
31	5447 2681	Snap Ring	2
32	AG05 1137	Handle Lever	1
33	AA14 3461	Stepped Screw - M2.5	1
34	G034 1071	Bracket - Micro Switch	1
35	G035 5521	Harness - DC - Joint Unit	1

Index No.	Part No.	Description	Q'ty Per Assembly
36	AA15 3391	Frame Seal - Rear Right	1
37	G034 3812	Decal - Transfer Unit - Rear	1
38	G034 3811	Decal - Transfer Unit - Front	1
39	A232 3995	Relay Harness-toner Overflow Sensor	1
101	0451 3006B	Tapping Screw - M3x6	
102	0450 3008B	Tapping Screw - M3x8	
103	0451 3008H	Tapping Screw - 3x8	
104	0720 0060E	Retaining Ring - M6	
105	1204 2466	Microswitch - V-16506-1C25	

# 14.DEVELOPMENT UNIT (G035)

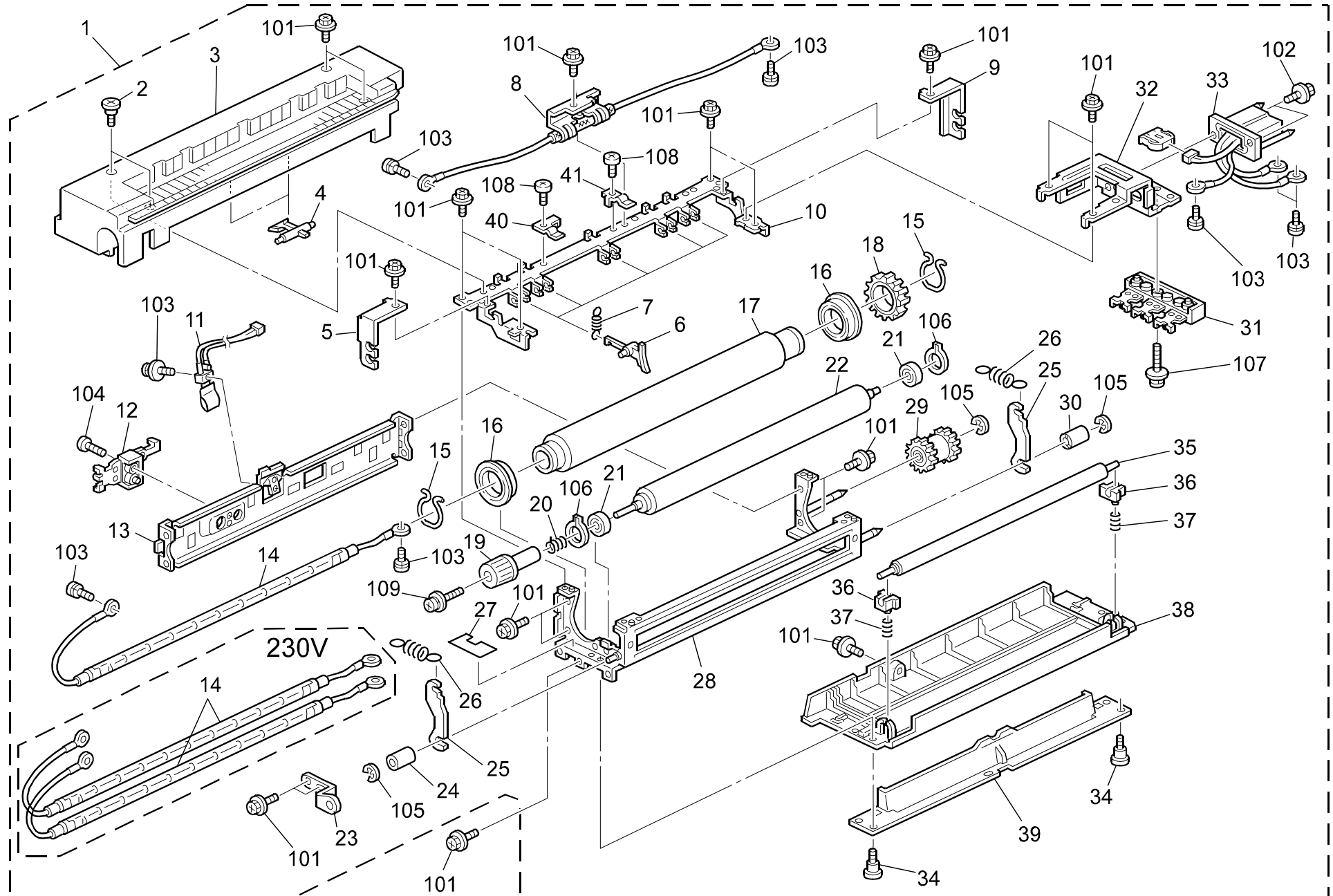


## 14.DEVELOPMENT UNIT (G035)

Index No.	Part No.	Description	Q'ty Per Assembly
1	G035 3050	Development Unit	1
2	A232 3155	Front Cover - Development Unit	1
3	AB01 4061	Gear - 13Z	1
4	AB01 4060	Gear - 21Z	1
5	AB01 4062	Gear - 17Z/25Z	1
6	AA15 3052	Entrance Seal - Toner Supply	1
7	AA14 3219	Stepped Screw	2
8	A232 3132	Rear Shield - Development Sleeve	1
9	G034 3100	Development Sleeve Ass'y	1
10	A232 3131	Front Shield - Development Sleeve	1
11	AB01 1384	Gear - 29Z	1
12	AB01 1386	Development Sleeve Gear	1
13	5206 2686	Snap Ring	2
14	A232 3150	Entrance Seal Ass'y	1
15	<b>AA01 2102</b>	<b>Development Filter</b>	<b>1</b>
16	AB01 1383	Joint Gear - 45z	1
17	A232 3067	Tape - TD Sensor	1
18	A232 3065	TD Sensor	1
19	A232 3068	Front Bias Terminal - Dev.unit	1
20	A232 3069	Rear Bias Terminal - Dev.unit	1
21	A232 3096	Flange - Side Plate	1
22	A232 3081	Flange - Paddle	1
23	A232 3056	Lower Development Case	1
24	AD03 8078	Paddle	1
25	AA15 2283	Ring - M12	2
26	AA15 3062	Sponge - M46	1
27	AA15 3054	Sponge - 17x7x5	2
28	AA15 3053	Sponge - 317x5x5	1
29	AA15 3059	Sponge - 8x8x1	2
30	AA08 0234	Bushing - 12x18x6	1
31	G034 2451	Bracket - Development Stay	1
32	G034 2450	Bracket - PCU And Development	1
33	G034 2452	Gear - New Unit Detection - 6Z	1

Index No.	Part No.	Description	Q'ty Per Assembly
101	0450 3010B	Tapping Screw - M3x10	
102	0720 0030E	Retaining Ring - M3	
103	0725 0110E	C Ring - M11	
104	0720 0040E	Retaining Ring - M4	
105	0450 3008B	Tapping Screw - M3x8	
106	0450 3010B	Tapping Screw - M3x10	

# 15.FUSING UNIT (G035)



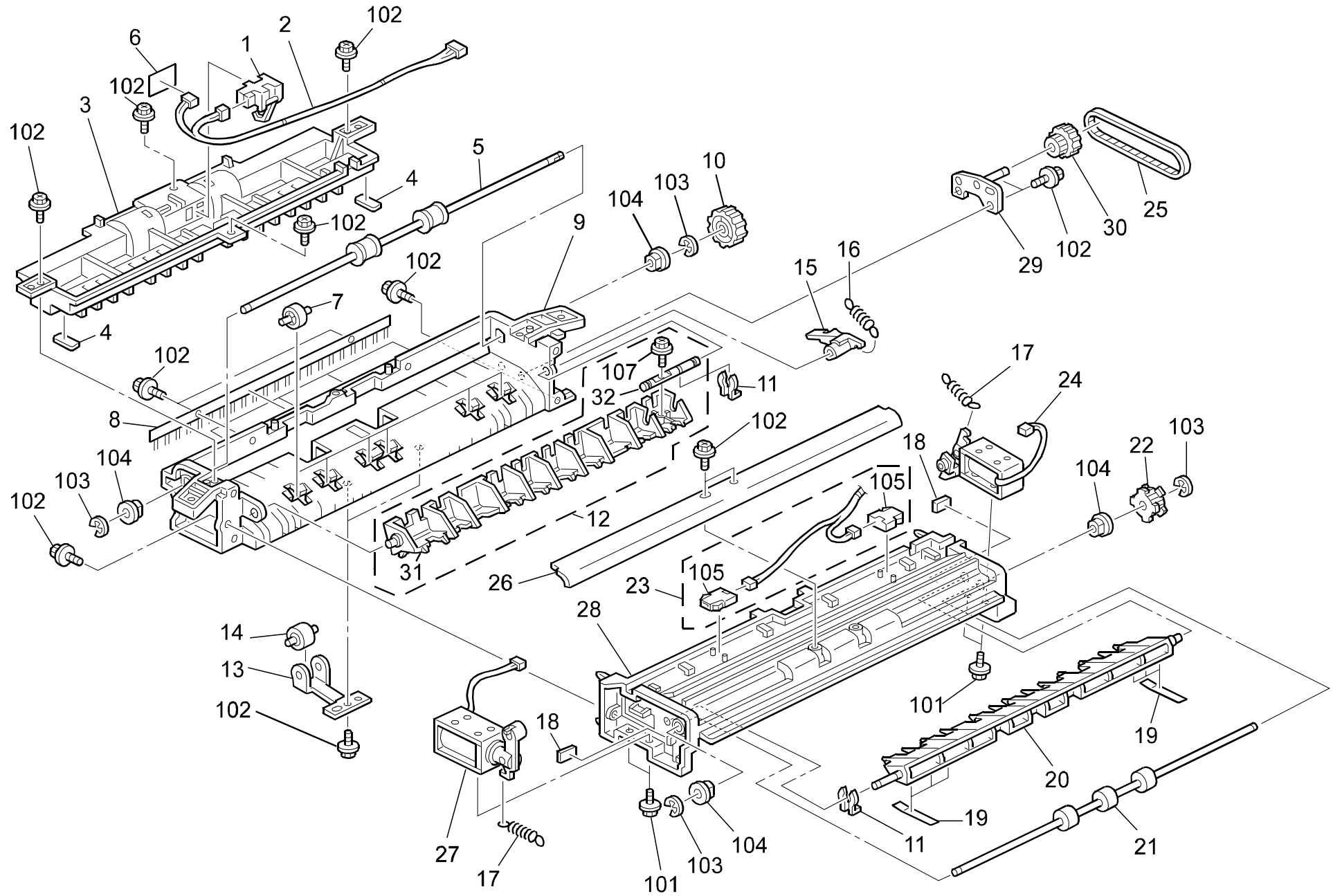
## 15.FUSING UNIT (G035)



Index No.	Part No.	Description	Q'ty Per Assembly
1	G034 7320	Fusing Unit - NA	1
1	G034 7720	Fusing Unit - EU	1
2	5206 2684	Shoulder Screw - M3	2
3	G034 4131	Fusing Cover	1
4	AE04 4024	Pressure Roller Stripper	2
5	A232 4111	Front Bracket - Fusing Lamp	1
<b>6</b>	<b>AE04 4022</b>	<b>Hot Roller Stripper</b>	<b>5</b>
7	AA06 0701	Tension Spring	5
8	A232 4100	Thermofuse	1
9	A232 4115	Rear Bracket - Fusing Lamp	1
10	A232 4081	Upper Frame - Fusing Unit	1
11	AW10 0051	Thermistor	1
12	A232 4105	Terminal Plate - Thermofuse	1
13	A232 4055	Stay - Fusing Unit	1
14	AX44 0107	Fusing Lamp - 120V 860W	1
14	AX44 0117	Heater - 230V 430W	2
15	A232 4064	C Riung - Hot Roller	2
16	A232 3559	Ball Bearing - 30x42x7	2
<b>17</b>	<b>AE01 1050</b>	<b>Hot Roller - Mm39.8 T2.8</b>	<b>1</b>
18	AB01 3882	Gear - 40Z	1
19	AG05 0086	Knob - Hot Roller	1
20	A232 4072	Spring - Hot Roller Knob	1
21	A232 3560	Ball Bearing - 8x22x7	2
<b>22</b>	<b>AE02 0074</b>	<b>Pressure Roller - M30</b>	<b>1</b>
23	A232 4059	Positioning Plate - Pressure Lever	1
24	A232 4057	Front Collar - Pressure Lever	1
25	A232 4056	Pressure Lever	2
26	AA06 0687	Pressure Spring	2
27	A232 4053	Fusing Lower Shield	1
28	A232 4051	Frame - Fusing Unit	1
29	AB01 4046	Gear - 25Z	1
30	A232 4058	Rear Collar - Pressure Lever	1
31	A232 4095	Terminal Plate - Fusing Unit	1
32	A232 4092	Bracket - Fusing Connector	1
33	G034 4094	Harness - Fusing Unit (NA)	1

Index No.	Part No.	Description	Q'ty Per Assembly
33	G034 4151	Harness - Fusing Unit - EU	1
34	AA14 0140	Screw - M3X4.5	2
35	AE04 2039	Fusing Cleaning Roller	1
36	AA08 2073	Roller Busing	2
37	AA06 3570	Tension Spring	2
38	A232 4123	Upper Fusing Entrance Guide	1
39	A232 4127	Lower Fusing Entrance Guide	1
40	G034 4083	Bracket - Front Grip	1
41	G034 4082	Bracket - Rear Grip	1
101	0451 3006B	Tapping Screw - M3x6	
102	0451 3008B	Tapping Screw - M3x8	
103	0950 4006M	Philips Screw With Flat Washer - M4x6	
104	0453 3012B	Binding Self Tapping Screw - 3x12	
105	0720 0030E	Retaining Ring - M3	
106	0720 0080E	Retaining Ring - M8	
107	0957 3012B	Double Sems Screw - M3x12	
108	0453 3006b	Tapping Screw - M3x6	
109	0957 3008	Double Sems Screw - M3x8	

# 16.PAPER SEPARATION UNIT (G035)



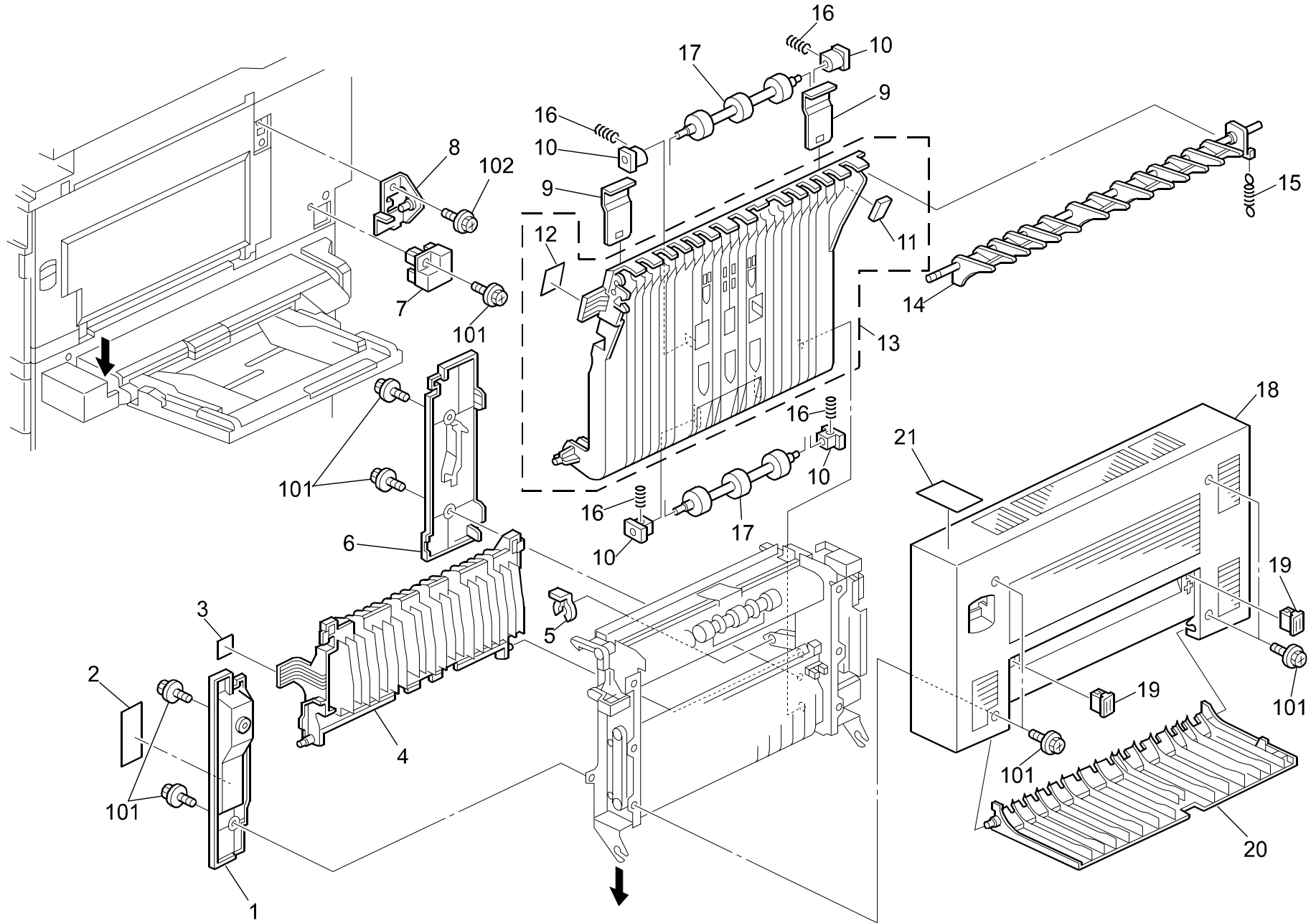


## 16.PAPER SEPARATION UNIT (G035)

Index No.	Part No.	Description	Q'ty Per Assembly
1	AW02 0098	Photosensor	1
2	A232 5422	Harness - Exit Sensor	1
3	A232 4465	Upper Guide Plate - Paper Exit	1
4	AA16 1127	Cushion - 16x6x4	2
5	AF02 0406	Transport Roller	1
6	A232 4488	Harness Guide	1
7	AF04 0557	Roller - M16	6
8	AA12 0089	Antistatic Brush	1
9	A232 4460	Left Frame - Paper Exit	1
10	AB01 4049	Gear - 24Z	1
11	5447 2681	Snap Ring	2
12	A232 4452	Gate Pawl - Entrance	1
13	A232 4463	Roller Holder	2
14	AF04 0560	Driven Roller	2
15	A232 4468	Lever - Entrance Junction Gate	1
16	AA06 0697	Tension Spring	1
17	AA06 0716	Tension Spring	2
18	AA16 1128	Cushion - 12x8x2	2
19	A232 4477	Guide - Junction Gate	6
20	A232 4473	Exit Junction Gate	1
21	AF02 0407	Transport Roller	1
22	AB03 0568	Pulley - 23T	1
23	A232 5423	Harness - Exit Gate Solenoid	1
24	A232 4481	Solenoid- Entrance Gate	1
25	AA04 3447	Timing Belt - S2M 210	1
26	A232 4479	Support Plate - Right Frame	1
27	A232 4484	Solenoid - Exit Gate	1
28	A232 4470	Right Frame - Paper Exit	1
29	A232 4474	Bracket - Idle Gear	1
30	AB01 7458	Gear Pulley - 18Z/22T	1
31	A232 4467	Entrance Junction Gate	1
32	AA14 8574	Junction Gate Shaft	1

Index No.	Part No.	Description	Q'ty Per Assembly
101	0451 3006B	Tapping Screw - M3x6	
102	0450 3008B	Tapping Screw - M3x8	
103	0720 0040E	Retaining Ring - M4	
104	0805 3480	Bushing - 6mm	
105	1102 6245	Relay Connector - 2P	
106	0951 3005B	Philips Screw With Flat Washer M3x5	
107	0450 3012b	Tapping Screw - M3x12	

# 17.DUPLEX UNIT 1 (G035)

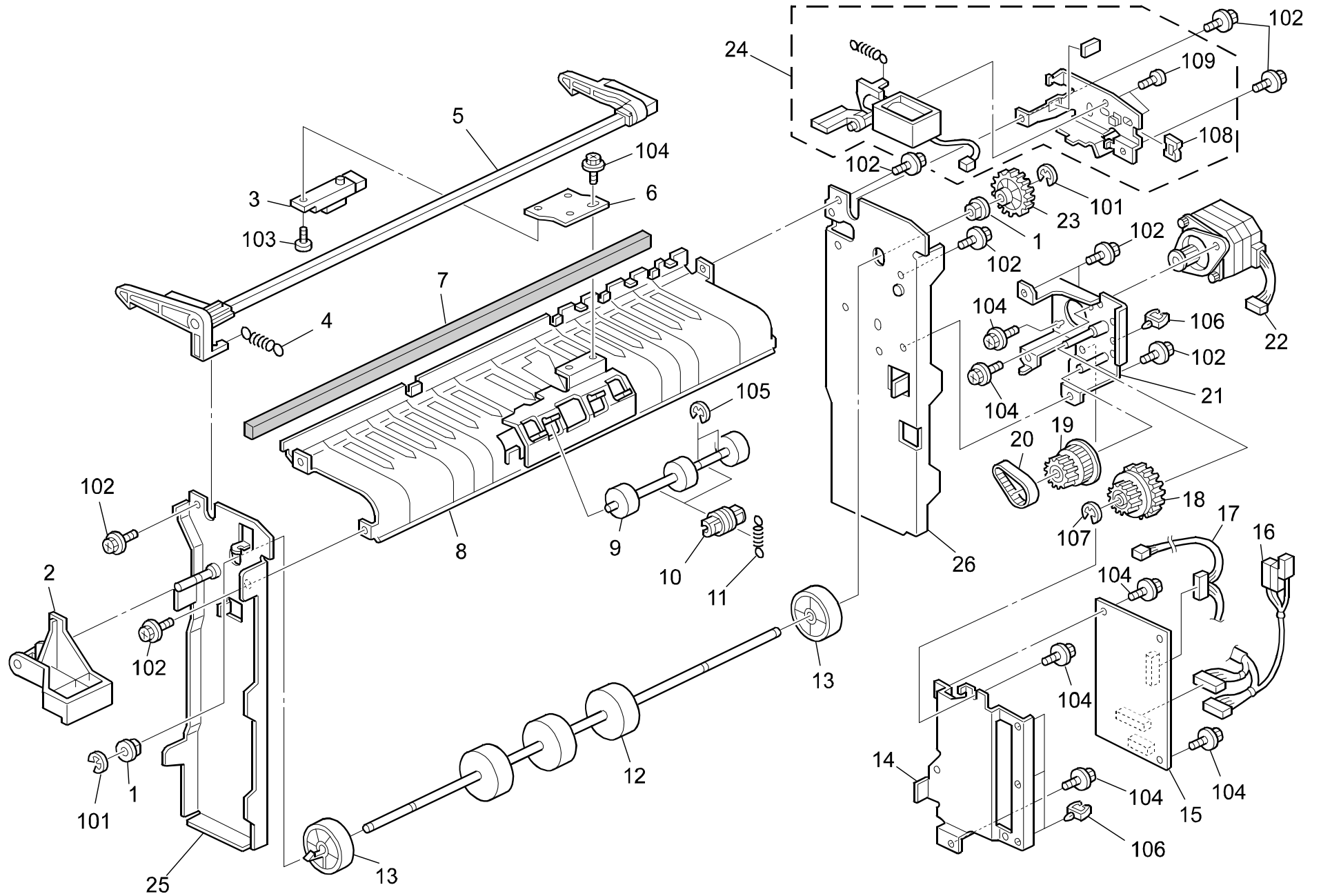


## 17.DUPLEX UNIT 1 (G035)

Index No.	Part No.	Description	Q'ty Per Assembly
1	A232 4720	Inner Cover - Duplex Unit	1
2	A232 4852	Jam Removal Decal - Duplex	1
3	A232 4851	Decal - Jam Removal	1
4	A232 4645	Middle Guide Plate	1
5	5447 2681	Snap Ring	1
6	A232 4730	Rear Inner Cover	1
7	A232 4810	Harness Cover - Duplex Unit	1
8	A232 4793	Bracket - Link Lever	1
9	A232 4653	Pressure Plate - Guide Plate	2
10	AA08 0034	Bushing - 4x5x7	4
11	AA16 1126	Exchange Powl Cushion	1
12	A232 4850	Decal - Upper Grip	1
13	A232 4648	Guide Plate - Driven Roller	1
14	AF02 5036	Duplex Junction Gate	1
15	AA06 0709	Tension Spring	1
16	AA06 3303	Pressure Spring	4
17	AF02 0412	Driven Roller	2
18	A232 4700	Duplex Cover	1
19	AA02 1030	Magnet Catch	2
20	A232 4709	Support Tray - Duplex Unit	1
21	A232 4853	Upper Decal - Duplex Unit	1

Index No.	Part No.	Description	Q'ty Per Assembly
101	0451 3008H	Tapping Screw - 3x8	
102	0451 3006B	Tapping Screw - M3x6	

# 18.DUPLEX UNIT 2 (G035)



## 18.DUPLEX UNIT 2 (G035)

Index No.	Part No.	Description	Q'ty Per Assembly
1	AA08 2074	Bushing - M8	2
2	A232 4684	Handle - Unit Release	1
3	AW01 0048	Photo Sensor - GP2A28N1	1
4	AA06 6152	Tension Spring	1
5	A232 4685	Hook - Unit Release	1
6	A232 4763	Bracket - Entrance Sensor	1
7	AA16 2046	Cushion - 347x10x5	1
8	A232 4634	Inverter Guide	1
9	AF02 0411	Driven Roller	1
10	AA08 0227	Bushing - M4	2
11	AA06 0708	Pressure Spring	2
12	AF02 0413	Driven Roller	1
13	A232 4657	Inverter Roller	2
14	A232 4800	Bracket - Duplex Drive Board	1
15	A232 5140	Duplex Drive Board	1
16	A232 5432	Harness - Duplex Unit	1
17	A232 5433	Harness - Duplex Sensor	1
18	AB01 7455	Gear - 21Z/35Z	1
19	AB01 7456	Gear - 20Z	1
20	AA04 3443	Timing Belt - S2M 140	1
21	A232 4668	Bracket - Inverter Motor	1
22	A232 4665	DC Motor - 17W	1
23	AB01 4053	Gear - 30Z	1
24	A232 4692	Link Solenoid Ass'y	1
25	A232 4638	Front Side Plate	1
26	A232 4642	Rear Side Plate	1

Index No.	Part No.	Description	Q'ty Per Assembly
101	0720 0060E	Retaining Ring - M6	
102	0802 5265	Tapping Screw - M3x6	
103	0313 0060B	Philips Pan Head Screw - M3x6	
104	0451 3006B	Tapping Screw - M3x6	
105	0720 0030E	Retaining Ring - M3	
106	1105 0229	Clamp	
107	0720 0040E	Retaining Ring - M4	
108	1105 0328	Harness Clamp - ES-0505	
109	0313 0040B	Philips Pan Head Screw - M3x4	

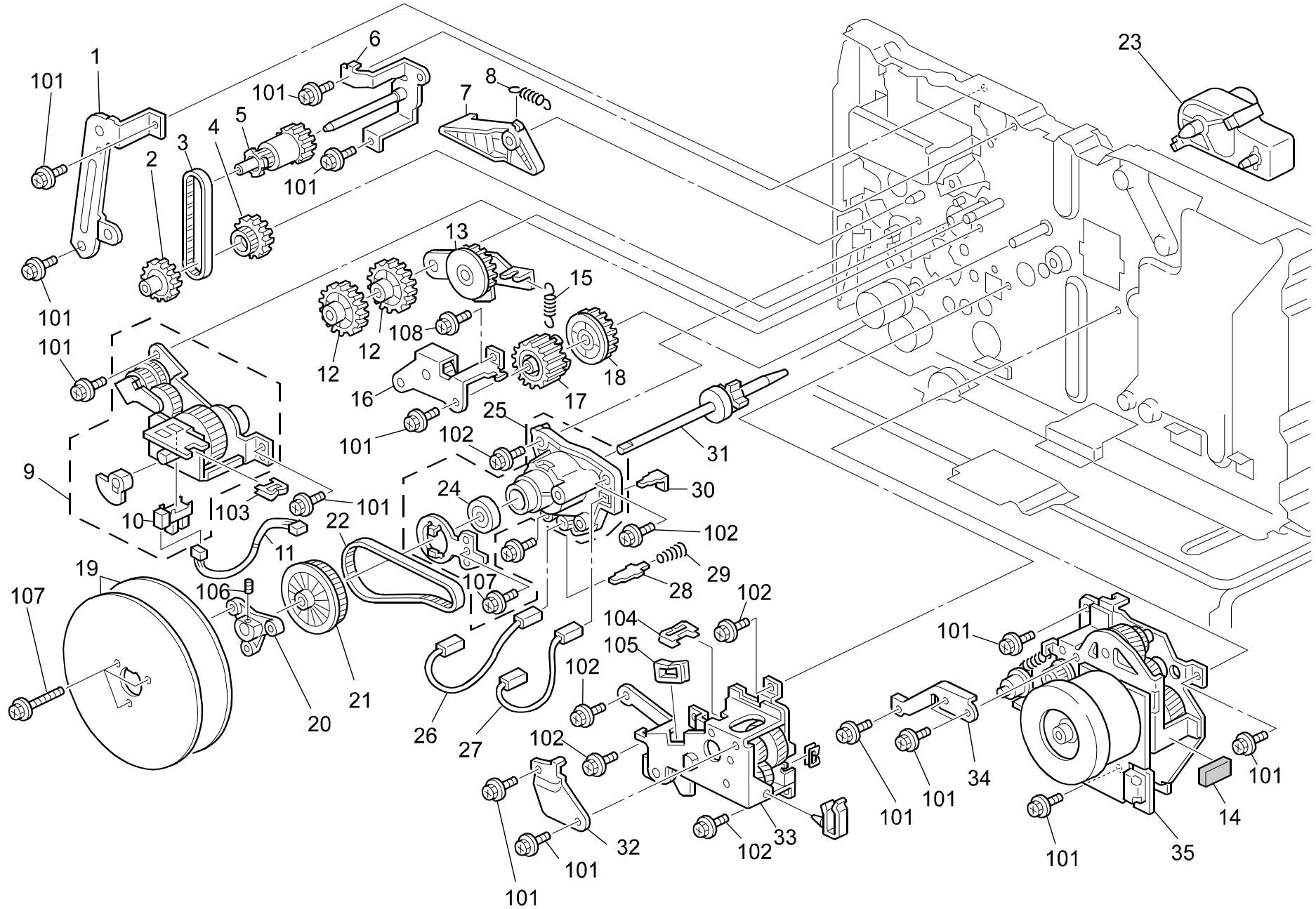


### 19.DUPLEX UNIT 3 (G035)

Index No.	Part No.	Description	Q'ty Per Assembly
1	AA04 3444	Timing Belt - S2M 350	1
2	AB03 0474	Pulley - 24T	2
3	AA08 2075	Bushing - M6	2
4	AF02 0414	Transport Roller	1
5	A232 4622	Guide Plate - Right Lower	1
6	AF02 0415	Transport Roller	1
7	A232 4630	Lower Stay - Duplex	1
8	A232 4757	Bracket - Feed Sensor	1
9	AW02 0102	Photointerruptor	1
10	AA04 3443	Timing Belt - S2M 140	1
11	AB01 7457	Gear Pulley - 20Z/40T	1
12	A232 4678	Bracket - Feed Motor	1
13	AB01 1088	Gear - 30Z	1
14	A232 4665	DC Motor - 17W	1
15	AW02 0056	Photointerruptor - EE-SX4235A-P1	1
16	A232 4751	Sensor Bracket	1
17	AA06 6293	Torsion Spring	1
18	A232 4697	Bracket - Micro Switch	1
19	AA14 3461	Stepped Screw - M2.5	1
20	A232 4790	Link - Duplex Unit	1

Index No.	Part No.	Description	Q'ty Per Assembly
101	0805 3480	Bushing - 6mm	
102	0451 3006B	Tapping Screw - M3x6	
103	1105 0291	Harness Clamp - LWS-3S	
104	1105 0328	Harness Clamp - ES-0505	
105	0802 5265	Tapping Screw - M3x6	
106	0720 0040E	Retaining Ring - M4	
107	1105 0229	Clamp	
108	1204 2466	Microswitch - V-16506-1C25	

# 20.DRIVE SECTION 1 (G035)



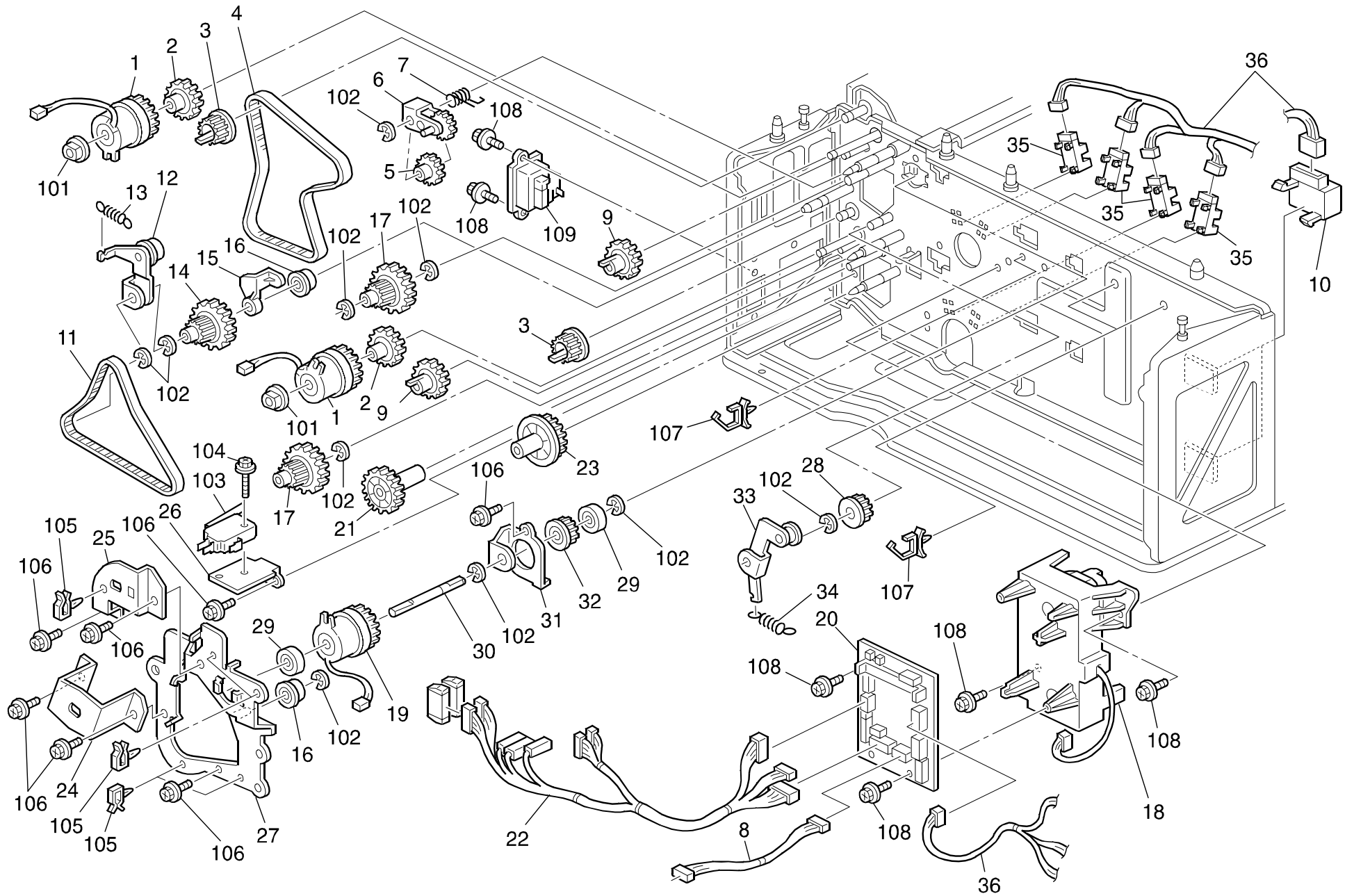


## 20.DRIVE SECTION 1 (G035)

Index No.	Part No.	Description	Q'ty Per Assembly
1	A232 1138	Belt Holder	1
2	AB01 4048	Gear - 30Z	1
3	AA04 3442	Timing Belt - S3M-264	1
4	AB01 7460	Gear - Pully - 30Z/24T	1
5	AB01 7461	Gear Pulley - 30Z/20T	1
6	A282 1135	Bracket - Pulley Gear	1
7	A232 2372	Lock Lever - Transfer Unit	1
8	AA06 0696	Tension Spring	1
9	A232 2379	Transfer Unit Clutch	1
10	AW02 0097	Photointerruptor	1
11	A232 5437	Relay Harness - Charge Contact Sensor	1
12	AB01 4045	Gear - 33Z	2
13	A232 1118	Bracket - Gear	1
14	A232 5839	Sheet - DC Motor	1
15	AA06 0690	Spring	1
16	A232 1115	Fusing Relay Gear	1
17	AB01 4041	Gear - 37Z	1
18	AB01 4042	Gear - 37Z	1
19	G020 1189	Fly Wheel	2
20	G020 1184	Flange - Fly Wheel	1
21	AB03 0574	Timing Pulley - 79T	1
22	AA04 3441	Timing Belt - S2M	1
23	AX05 0117	DC Motor - 2.4W	1
24	A232 3561	Ball Bearing - 8x22	1
25	A232 7210	Drum Holder	1
26	A232 2383	Harness - Development Bias	1
27	A232 2381	Harness - Charge Roller	1
28	A232 2382	Terminal Plate - Development Bias	1
29	AA06 3371	Spring	1
30	A232 2380	Terminal Plate - Change Roller	1
31	AD01 5020	Drum Shaft	1
32	A232 1149	Support Bracket - Drum Drive	1
33	A232 3170	Development Drive Unit Ass'y	1
34	A232 1151	Link Plate - Drum Drive	1
35	AX06 0145	DC Motor - 48W	1

Index No.	Part No.	Description	Q'ty Per Assembly
101	0451 3006B	Tapping Screw - M3x6	
102	0451 3008B	Tapping Screw - M3x8	
103	1105 0328	Harness Clamp - ES-0505	
104	1105 0329	Clamp - ES-0510	
105	1105 0349	Edge Saddle	
106	0534 0050E	Headless Screw - M4 X 5	
107	0451 3014B	Tapping Screw - M3-14	

# 21.DRIVE SECTION 2 (G035)



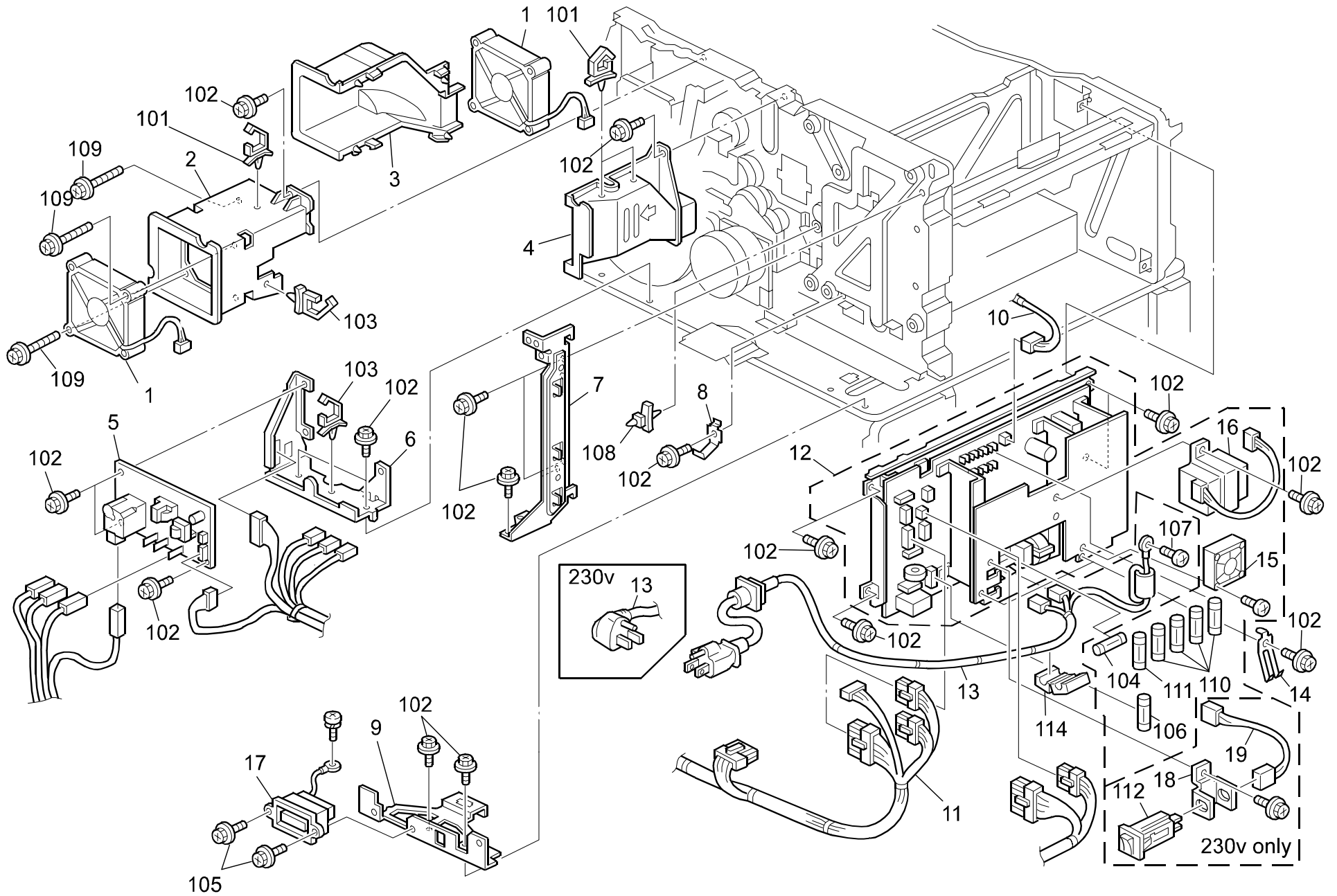
## 21.DRIVE SECTION 2 (G035)

Index No.	Part No.	Description	Q'ty Per Assembly
1	AX20 0153	Electrical Clutch	2
2	AB01 4037	Gear - 24Z	2
3	AB03 0565	Timing Pulley - 20T	2
4	AA04 3445	Timing Belt - S3M-360	1
5	AB01 4036	Gear - 27Z	1
6	A232 2700	Arm - Gear	1
7	AA06 6292	Tension Spring	1
8	G035 5411	Harness - Bank - Junction	1
9	AB01 4038	Gear - 22Z	2
10	G020 2620	Push Switch - Paper Size	2
11	AA04 3446	Timing Belt - S3M-312	1
12	A232 2705	Tightener - Paper Feed	1
13	AA06 0694	Tension Spring	1
14	AB03 0562	Timing Pulley - 31Z/20T	1
15	A232 2709	Spacer - By-pass Feed	1
16	AB03 0564	Pulley - M17	2
17	AB03 0561	Timing Pulley - 31Z/20T	2
18	AX04 0077	DC Motor - 3W	1
19	AX20 0138	Electrical Clutch	1
20	A232 5130	pFB Board	1
21	AB01 4039	Gear - 31Z	1
22	A232 5405	Main Harness - Paper Feed	1
23	AB01 4040	Gear - 29Z	1
24	A232 2711	Lower Holder Plate	1
25	A232 2710	Upper Holder Plate	1
26	A232 2882	Bracket - Microswitch	1
27	A232 2707	Support Bracket	1
28	AB03 0590	Pulley - M17	1
29	A232 3552	Ball Bearing - 8x22x7	2
30	AA14 5260	Gear Shaft	1
31	A232 2702	Pulley Bracket	1
32	AB03 0566	Timing Pulley - 20T	1
33	A232 2703	Tightener	1
34	AA06 0695	Tension Spring	1
35	AW02 0056	Photointerruptor - EE-SX4235A-P1	4

Index No.	Part No.	Description	Q'ty Per Assembly
36	G035 5407	Harness - Paper Feed - Size Sensor	1
101	0805 3480	Bushing - 6mm	
102	0720 0060E	Retaining Ring - M6	
103	1204 2466	Microswitch - V-16506-1C25	
104	0451 3014B	Tapping Screw - M3-14	
105	1105 0267	Harness Clamp - YMC-10-0	
106	0451 3006B	Tapping Screw - M3x6	
107	1105 0310	Harness Clamp - LWS-1S	
108	0451 3008B	Tapping Screw - M3x8	
109	1102 7672	Connector - 54111-1615	



## 22.ELECTRICAL SECTION 1 (G035)

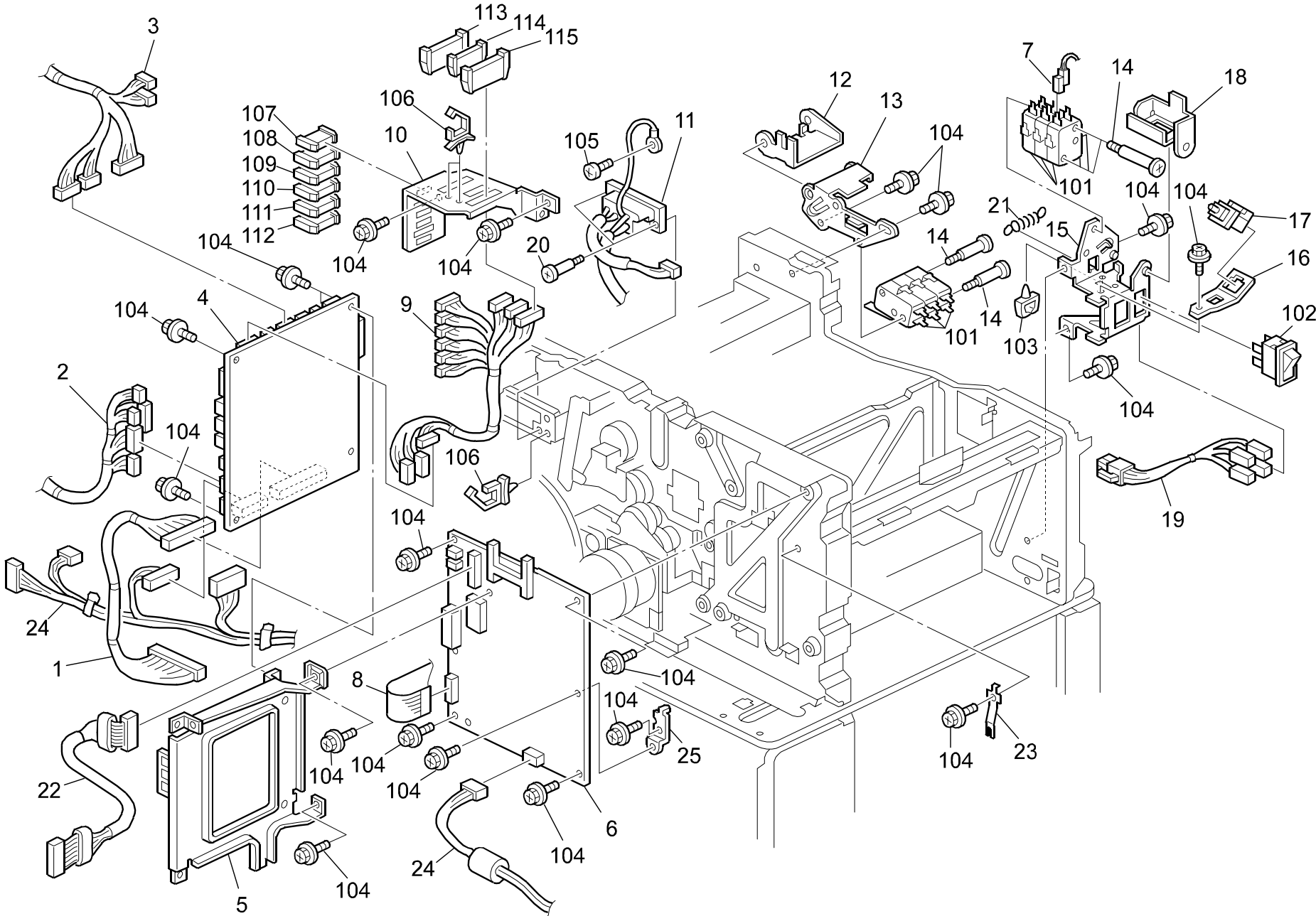


## 22.ELECTRICAL SECTION 1 (G035)

Index No.	Part No.	Description	Q'ty Per Assembly
1	AX64 0080	Fan Motor - DC 2.88W	2
2	A232 1172	Duct - Cooling Fan	1
3	G034 1170	Duct - Mainframe - Left	1
4	A232 1171	Right Duct	1
5	AZ32 0086	High Voltage Supply - CBT	1
6	A232 5811	Bracket High Voltage Supply	1
7	A284 1086	Support Plate - Scanner Arm	1
8	A232 1936	Holder - Laser Unit Ass'y	1
9	A232 5874	Bracket - Power Supply Cord	1
10	G035 5522	Harness - DC Safety Switch	1
11	G035 5520	Harness - DC - Power Supply	1
12	AZ23 0074	Power Supply Unit - 100/115V	1
12	AZ23 0076	Power Supply Unit - 230V	1
13	A232 5526	Power Supply Cord - 115V	1
13	A232 5527	Power Supply Cord - 230V	1
14	G034 5820	Spring Plate - Power Supply Unit	1
15	N607 6527	Fan Motor - DC 0.96W	1
16	N607 4525	Coil - RITL-9704	1
17	A232 5410	Connector Finisher	1
18	A232 7757	Bracket - Circuit Breaker (230V)	1
19	A232 7756	Harness - Circuit Breaker (230V)	1

Index No.	Part No.	Description	Q'ty Per Assembly
101	1105 0291	Harness Clamp - LWS-3S	
102	0451 3006B	Tapping Screw - M3x6	
103	1105 0310	Harness Clamp - LWS-1S	
104	1107 0919	Fuse - 8A 125V	
104	1107 0879	Fuse - 5A 250V	
105	0451 3008B	Tapping Screw - M3x8	
106	1107 0910	Fuse - 2A 125V	
106	1107 0922	Fuse - 2A 250V	
107	0801 0149	Philips Pan Head Screw - M4x6	
108	1105 0437	Locking Support - FGS-4S	
109	0450 4035B	Philips Tapping Screw - M4x35	
110	1107 0907	Fuse - 6.3A 125V	
110	1107 0920	Fuse - 6.3A 250V	
111	1107 0906	Fuse - 4A 125V	
111	1107 0921	Fuse - 4A 250V	
112	1107 0472	Circuit Breaker - W28XQ1A 8A 25V (230V)	

23.ELECTRICAL SECTION 2 (G035)

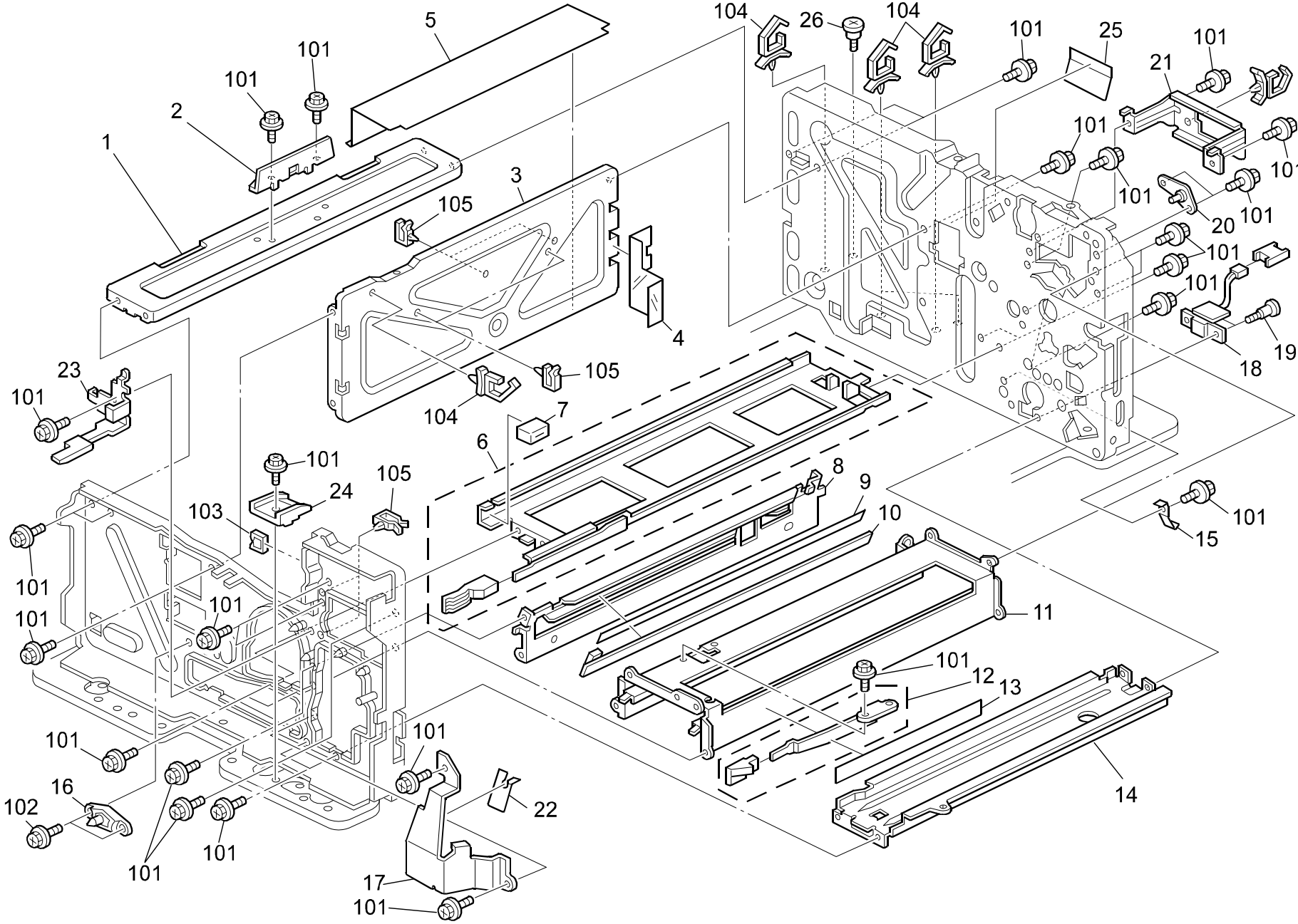


## 23.ELECTRICAL SECTION 2 (G035)

Index No.	Part No.	Description	Q'ty Per Assembly
1	A232 5403	Harness - IOB / pFB	1
2	G035 5401	Harness - DC - Lower	1
3	A232 5402	DC Harness - Front Upper	1
4	G035 5125	PCB - IOB	1
5	G034 5831	Bracket - I/O Control Board	1
6	G035 5051	PCB - A-BICU	1
7	G035 5522	Harness - DC Safety Switch	1
8	A232 5441	Harness - LDDR	1
9	G035 5402	Harness - DC - Upper	1
10	A232 5825	Connector Bracket	1
11	A232 5431	Main Harness - Fusing Unit (115V)	1
11	A232 7755	Main Harness - Fusing Unit (230V)	1
12	A232 5861	Lever - Interlock Switch	1
13	A232 5860	Bracket - Interlock Switch	1
14	AA14 3512	Stepped Screw - M2.5	4
15	A232 5866	Bracket - Push Switch	1
16	A232 5867	Angle Bracket Push Switch	1
17	AW50 0022	Push Switch	1
18	A232 5865	Lever - Push Switch	1
19	A232 5515	Harness - AC Switch	1
20	AA14 3301	Stepped Screw - M3x4	2
21	AA06 0713	Tension Spring	1
22	G035 5416	Harness - HDD - IDE	1
23	A232 5838	Spring Plate - BICU	1
24	G035 5520	Harness - DC - Power Supply	1
25	A284 1015	Bracket - BICU	1

Index No.	Part No.	Description	Q'ty Per Assembly
101	1204 2466	Microswitch - V-16506-1C25	
102	1204 2468	Switch - AC250/16A	
103	1105 0229	Clamp	
104	0451 3006B	Tapping Screw - M3x6	
105	0950 4006M	Philips Screw With Flat Washer - M4x6	
106	1105 0310	Harness Clamp - LWS-1S	
107	1102 6261	Relay Connector - 4P	
108	1102 6249	Relay Connector - 6P	
109	1102 6246	Relay Connector - 4P	
110	1102 6260	Relay Connector - 3P	
111	1102 6247	Connector - 4P	
112	1102 6245	Relay Connector - 2P	
113	1102 6943	Relay Connector - 10P	
114	1102 6266	Relay Connector - 9P	
115	1102 6256	Relay Connector - 13P	

24.FRAME SECTION 1 (G035)



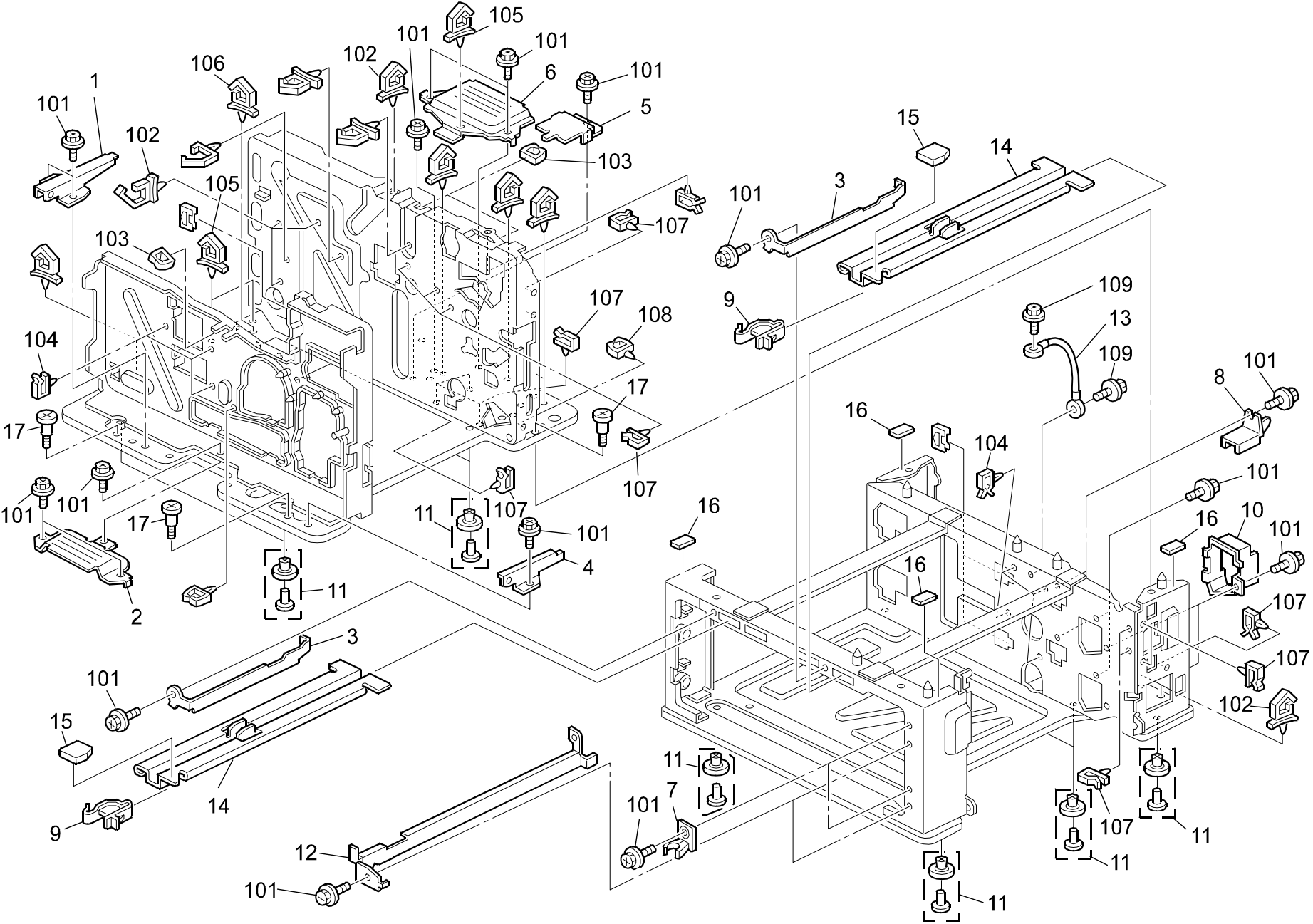


## 24.FRAME SECTION 1 (G035)

Index No.	Part No.	Description	Q'ty Per Assembly
1	A232 1082	Left Stay - Paper Exit	1
2	A232 1083	Bracket - Bridge Unit	1
3	A232 1081	Center Frame	1
4	AA15 0684	Shield Plate	1
5	A232 1089	Upper Plate - Laser Unit	1
6	A232 3210	Guide - Toner Supply Unit	1
7	A232 3264	Stopper - Slide Rail	1
8	A232 2362	Stay - PCU	1
9	A232 2373	Magnet - Quenching Lamp	1
10	AX50 0046	Quenching Lamp	1
11	A232 1075	Guide Rail - Fusing Unit	1
12	G034 4201	Stopper - Fusing Unit	1
13	A190 4476	Decal - High Temperature	1
14	A232 1071	Guide Rail - Development Unit	1
15	A232 1936	Holder - Laser Unit Ass'y	1
16	A232 1937	Positing Pin - Laser Unit Ass'y	1
17	G034 1969	Shading Plate - Laser Diode	1
18	A232 5425	Development I/T Board	1
19	AA14 3432	Stepped Screw - M3	2
20	A232 4780	Pin - Stopper	1
21	A232 1088	Bracket- Fusing Connector	1
22	G034 1971	Sheet - Shading Plate	1
23	G034 1062	Lever - PCU	1
24	G034 1060	Guide - Development Unit	1
25	G034 5821	Guide - Switch Harness	1
26	AA14 3511	Stepped Screw	1

Index No.	Part No.	Description	Q'ty Per Assembly
101	0451 3006B	Tapping Screw - M3x6	
102	0451 3008B	Tapping Screw - M3x8	
103	1105 0349	Edge Saddle	
104	1105 0267	Harness Clamp - YMC-10-0	
105	1105 0290	Harness Clamp - Horizontal	

25.FRAME SECTION 2 (G035)

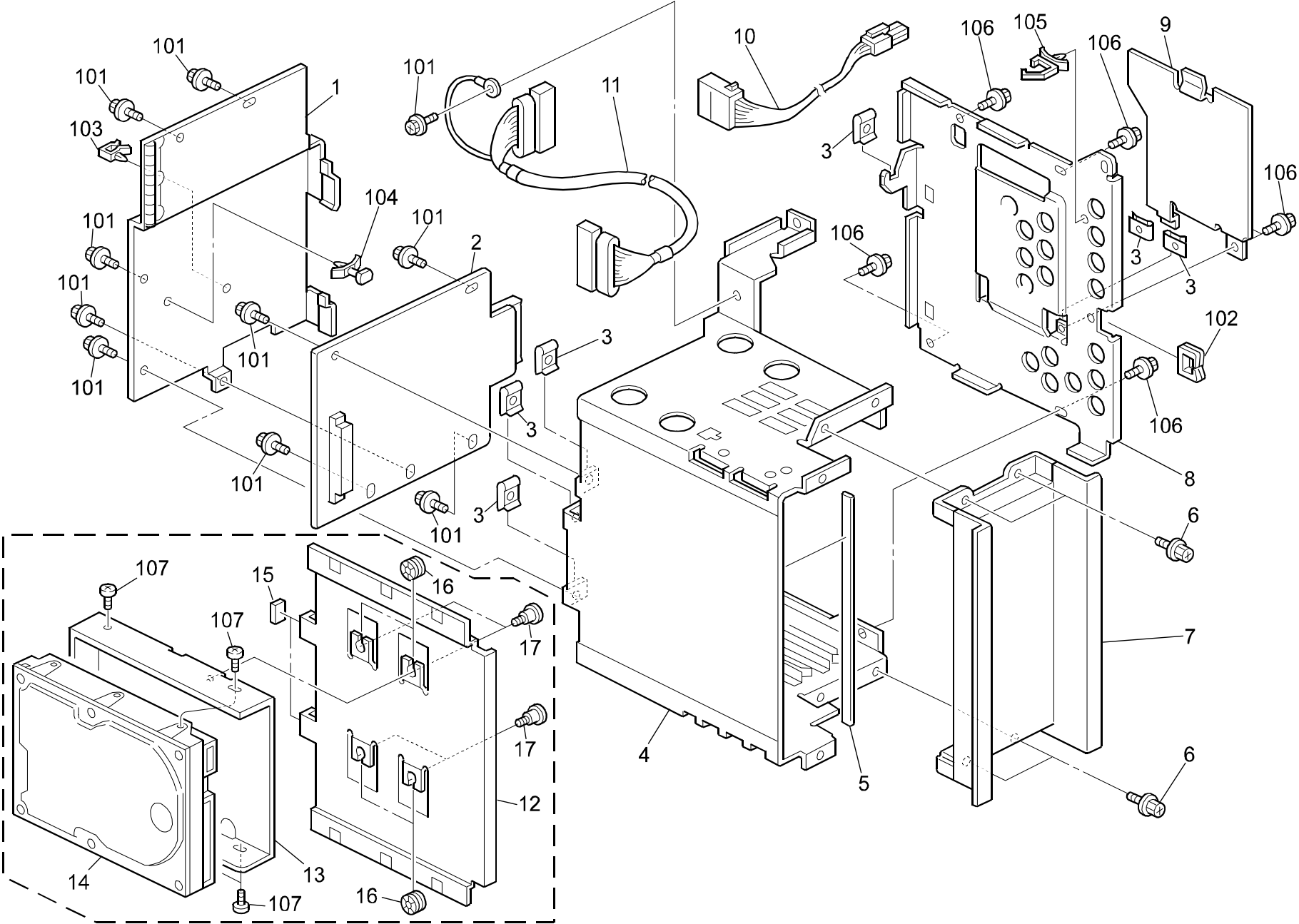


## 25.FRAME SECTION 2 (G035)

Index No.	Part No.	Description	Q'ty Per Assembly
1	A232 1266	Left Hinge - Front Cover	1
2	A232 1052	Front Grip Plate	1
3	A230 2699	Stopper - Front Grip	2
4	A232 1267	Right Hinge - Front Cover	1
5	G020 1053	Guard Bracket	1
6	A232 1053	Rear Grip Plate	1
7	A232 2995	Front Positioning Guide	2
8	A232 2996	Rear Positioning Guide	2
9	A230 2693	Stopper - Front	2
10	A232 2692	Cover - Paper Drive	2
11	AH01 0009	Rubber Pad - H5	9
12	A232 2990	Guide Rail - Paper Tray	2
13	G035 5516	Harness - Ground Wire - Dehumid	1
14	A230 2696	Front Grip	2
15	A230 2699	Stopper - Front Grip	2
16	A230 2688	Film - Stay - Upper Front	4
17	AA14 3511	Stepped Screw	3

Index No.	Part No.	Description	Q'ty Per Assembly
101	0451 3006B	Tapping Screw - M3x6	
102	1105 0310	Harness Clamp - LWS-1S	
103	1105 0349	Edge Saddle	
104	1105 0290	Harness Clamp - Horizontal	
105	1105 0291	Harness Clamp - LWS-3S	
106	1105 0329	Clamp - ES-0510	
107	1105 0267	Harness Clamp - YMC-10-0	
108	1105 0229	Clamp	
109	0801 0149	Philips Pan Head Screw - M4x6	

# 26.EXPANSION BOX (G035)



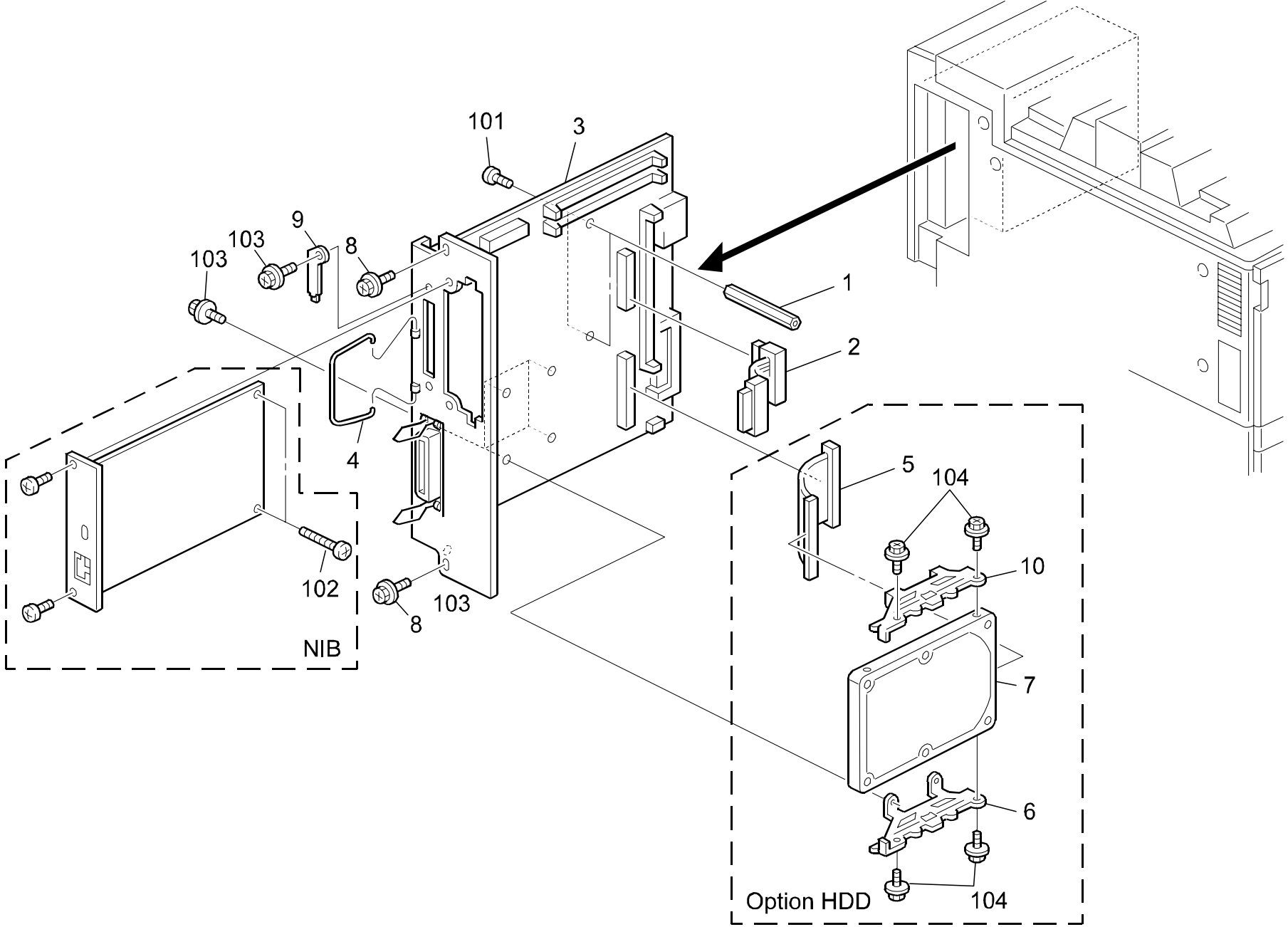
## 26.EXPANSION BOX (G035)

Index No.	Part No.	Description	Q'ty Per Assembly
1	A285 5865	Cover - Rear	1
2	G035 5150	PCB - Mother Board	1
3	A232 1284	Spring Holder	6
4	A233 5871	Expansion Rack	1
5	A285 5842	Gasket - Rack	1
6	G034 2993	Flanged Hexagonal Head Bolt - M3x6	2
7	G034 5890	Panel Assy - Rack-P	1
8	A285 5879	Stay - Rack - Front	1
9	G034 5892	Cover - Stay	1
10	G035 5524	Harness - DC - HDD	1
11	G035 5416	Hauness - HDD - IDE	1
12	G523 5836	Bracket - HDD	1
13	G523 5831	Lower Cover - HDD	1
14	A691 5877	Hard Disk Drive	1
15	G523 5837	Cushion - Hdd Bracket	2
16	AA16 1125	Rubber Cushon	4
17	AA14 3499	Stepped Screw	4



Index No.	Part No.	Description	Q'ty Per Assembly
101	0451 3006B	Tapping Screw - M3x6	
102	1105 0349	Edge Saddle	
103	1105 0290	Harness Clamp - Horizontal	
104	1105 0409	Card Spacer 6.4mm	
105	1105 0291	Harness Clamp - LWS-3S	
106	0802 5276	Tapping Screw With Washer - M3x6	
107	0801 0153	Bind Screw - M6x32	

# 27.CONTROLLER UNIT (G035)



## 27.CONTROLLER UNIT (G035)

Index No.	Part No.	Description	Q'ty Per Assembly
1	G035 6224	Spacer - NIC	2
2	A855 5100	Harness - NIB450E	1
3	G035 6010	PCB Controller Board	1
4	A287 5805	Grip - Printer Bracket	1
5	A853 5000	HDD Harness	1
6	A853 5872	HDD Right Bracket	1
7	A853 7000	HDD TOSHIBA MK1608MAT	1
8	G034 2993	Flanged Hexagonal Head Bolt - M3x6	2
9	A850 5862	Cover - IC Card	1
10	A853 5873	HDD Left Bracket	1

Index No.	Part No.	Description	Q'ty Per Assembly
101	0313 0050B	Philips Pan Head Screw - M3x5	
102	0313 0100B	Philips Pan Head Screw - M3x10	
103	0951 3006B	Philips Screw With Flat Washer - M3x6	
104	0451 3006B	Tapping Screw - M3x6	

## 28.IOB BOARD (G035)

### CAPACITOR

SYMBOL NO.	INDEX NO.	SYMBOL NO.	INDEX NO.	SYMBOL NO.	INDEX NO.	SYMBOL NO.	INDEX NO.	SYMBOL NO.	INDEX NO.	SYMBOL NO.	INDEX NO.	SYMBOL NO.	INDEX NO.
C 101	----	C 111	178	C 121	170	C 131	178	C 141	178	C 151	178	C 161	178
C 102	----	C 112	175	C 122	170	C 132	178	C 142	178	C 152	----	C 162	178
C 103	178	C 113	178	C 123	169	C 133	178	C 143	178	C 153	178	C 163	178
C 104	178	C 114	----	C 124	----	C 134	178	C 144	178	C 154	178	C 164	178
C 105	----	C 115	175	C 125	178	C 135	178	C 145	178	C 155	178	C 165	178
C 106	----	C 116	177	C 126	178	C 136	178	C 146	178	C 156	178	C 166	179
C 107	----	C 117	177	C 127	178	C 137	178	C 147	178	C 157	178	C 167	178
C 108	178	C 118	177	C 128	178	C 138	178	C 148	178	C 158	179	C 168	173
C 109	----	C 119	178	C 129	178	C 139	178	C 149	179	C 159	178	C 169	179
C 110	179	C 120	168	C 130	178	C 140	178	C 150	178	C 160	178	C 170	178

### CAPACITOR

SYMBOL NO.	INDEX NO.	SYMBOL NO.	INDEX NO.	SYMBOL NO.	INDEX NO.	SYMBOL NO.	INDEX NO.	SYMBOL NO.	INDEX NO.	SYMBOL NO.	INDEX NO.	SYMBOL NO.	INDEX NO.
C 171	178	C 181	178	C 191	179	C 201	178	C 211	179	C 224	179	C 261	172
C 172	179	C 182	178	C 192	179	C 202	----	C 212	179	C 225	178	C 262	----
C 173	178	C 183	178	C 193	179	C 203	175	C 213	179	C 226	178	C 263	176
C 174	178	C 184	178	C 194	179	C 204	179	C 214	179	C 254	171	C 264	176
C 175	178	C 185	178	C 195	179	C 205	179	C 215	179	C 255	171	C 265	176
C 176	178	C 186	178	C 196	179	C 206	----	C 216	139	C 256	171	C 266	176
C 177	173	C 187	175	C 197	179	C 207	----	C 217	178	C 257	171	C 267	171
C 178	178	C 188	174	C 198	175	C 208	----	C 218	----	C 258	171		
C 179	178	C 189	175	C 199	----	C 209	175	C 219	178	C 259	171		
C 180	178	C 190	----	C 200	----	C 210	175	C 220	179	C 260	----		



### CONNECTOR

SYMBOL NO.	INDEX NO.
CN 201	102
CN 202	109
CN 203	113
CN 204	103
CN 205	104
CN 206	107
CN 207	112
CN 208	115
CN 209	114
CN 210	----

SYMBOL NO.	INDEX NO.
CN 211	----
CN 212	108
CN 213	116
CN 214	----
CN 215	----
CN 216	----
CN 217	105
CN 218	106
CN 219	111
CN 220	110

### DIODE

SYMBOL NO.	INDEX NO.
D 102	121
D 103	121
D 104	121

### DA

SYMBOL NO.	INDEX NO.
DA 101	123
DA 102	123
DA 103	120
DA 104	120
DA 105	120
DA 106	123

### FILTER

SYMBOL NO.	INDEX NO.
FIL 101	140
FIL 103	140

### IC

SYMBOL NO.	INDEX NO.
IC 105	127
IC 106	127
IC 107	129
IC 108	127
IC 109	127
IC 110	132
IC 111	126
IC 112	----
IC 113	130
IC 114	131
IC 115	133

SYMBOL NO.	INDEX NO.
IC 116	133
IC 117	127
IC 118	126
IC 119	----
IC 120	1
IC 121	----
IC 122	134

### JP

SYMBOL NO.	INDEX NO.
JP 101	159
JP 102	158

### OSC

SYMBOL NO.	INDEX NO.
OSC 101	135

### Q

SYMBOL NO.	INDEX NO.
Q 102	125
Q 103	128
Q 104	128
Q 105	128
Q 106	118
Q 107	119
Q 108	128

### RESISTOR

SYMBOL NO.	INDEX NO.
R 116	143
R 117	----
R 118	143
R 119	136
R 120	----
R 121	----
R 122	143
R 123	----
R 124	165
R 125	----

SYMBOL NO.	INDEX NO.
R 126	144
R 127	144
R 128	167
R 129	----
R 130	155
R 131	143
R 132	150
R 133	----
R 134	----
R 135	165

SYMBOL NO.	INDEX NO.
R 136	----
R 137	155
R 138	----
R 139	147
R 140	157
R 141	143
R 142	----
R 143	143
R 144	143
R 145	149

SYMBOL NO.	INDEX NO.
R 146	154
R 147	161
R 148	162
R 149	144
R 150	161
R 151	161
R 152	161
R 153	143
R 154	144
R 155	----

## 28.IOB BOARD (G035)

### RESISTOR

SYMBOL NO.	INDEX NO.	SYMBOL NO.	INDEX NO.	SYMBOL NO.	INDEX NO.	SYMBOL NO.	INDEX NO.	SYMBOL NO.	INDEX NO.	SYMBOL NO.	INDEX NO.	SYMBOL NO.	INDEX NO.
R 156	143	R 166	155	R 176	143	R 186	143	R 196	143	R 206	155	R 216	----
R 157	161	R 167	157	R 177	----	R 187	152	R 197	164	R 207	143	R 217	----
R 158	161	R 168	147	R 178	143	R 188	143	R 198	166	R 208	142	R 218	----
R 159	143	R 169	143	R 179	----	R 189	149	R 199	157	R 209	142	R 219	----
R 160	----	R 170	143	R 180	144	R 190	142	R 200	148	R 210	154	R 220	143
R 161	156	R 171	144	R 181	145	R 191	143	R 201	144	R 211	149	R 221	----
R 162	149	R 172	144	R 182	----	R 192	143	R 202	148	R 212	143	R 222	143
R 163	143	R 173	141	R 183	----	R 193	144	R 203	147	R 213	149	R 223	144
R 164	162	R 174	----	R 184	----	R 194	163	R 204	155	R 214	----	R 224	155
R 165	162	R 175	----	R 185	----	R 195	163	R 205	160	R 215	143	R 225	155

### RESISTOR

SYMBOL NO.	INDEX NO.	SYMBOL NO.	INDEX NO.	SYMBOL NO.	INDEX NO.
R 226	----	R 244	143	R 258	153
R 227	----	R 249	143	R 259	152
R 228	143	R 250	----	R 260	146
R 229	----	R 251	144	R 261	146
R 230	----	R 252	144	R 262	153
R 231	143	R 253	153	R 263	152
R 232	143	R 254	146	R 264	144
R 239	143	R 255	152	R 265	136
R 242	143	R 256	144	R 266	144
R 243	143	R 257	144	R 267	----

### RN

SYMBOL NO.	INDEX NO.	SYMBOL NO.	INDEX NO.	SYMBOL NO.	INDEX NO.	SYMBOL NO.	INDEX NO.	SYMBOL NO.	INDEX NO.
R 268	151	RN 103	138	RN 113	----	RN 123	----		
R 269	151	RN 104	138	RN 114	----	RN 124	138		
		RN 105	138	RN 115	----	RN 125	138		
		RN 106	138	RN 116	138	RN 126	137		
		RN 107	138	RN 117	137	RN 127	----		
		RN 108	138	RN 118	----	RN 128	138		
		RN 109	137	RN 119	138	RN 129	138		
		RN 110	137	RN 120	137	RN 130	137		
		RN 111	137	RN 121	----	RN 131	138		
		RN 112	137	RN 122	138	RN 132	137		

## 28.IOB BOARD (G035)

### RN

SYMBOL NO.	INDEX NO.
RN 133	137
RN 134	137
RN 135	138
RN 136	137
RN 137	138
RN 138	138
RN 139	138
RN 140	138
RN 141	----
RN 142	137

SYMBOL NO.	INDEX NO.
RN 143	----
RN 144	137
RN 145	137
RN 146	----
RN 147	138
RN 148	138

### SWITCH

SYMBOL NO.	INDEX NO.
SW 101	117

### TP

SYMBOL NO.	INDEX NO.
TP 103	101
TP 104	101
TP 136	101
TP 154	101
TP 156	101
TP 158	101
TP 159	101

### ZD

SYMBOL NO.	INDEX NO.
ZD 101	122
ZD 102	----
ZD 103	122
ZD 104	122
ZD 105	124
ZD 106	122

## 28.IOB BOARD (G035)

Index No.	Part No.	Description	Q'ty Per Assembly
*	G035 5125	PCB - IOB	1
1	A232 5355	IC - GATEX	1

Index No.	Part No.	Description	Q'ty Per Assembly
101	1101 0328	Connector Pin Contact	1
102	1102 5306	Connector - 7P	1
103	1102 6297	Connector - 4P	1
104	1102 6299	Connector - 6P	1
105	1102 6301	Connector - 8P	1
106	1102 6305	Connector - 12P	1
107	1102 6334	Connector - 3P	1
108	1102 6336	Connector - 5P	1
109	1102 6337	Connector - 6P	1
110	1102 6340	Connector - 9P	1
111	1102 6342	Connector - 11P	1
112	1102 6395	Connector - 1P	1
113	1102 6400	Connector - 24P	1
114	1102 6401	Connector - 26P	1
115	1102 6896	Connector - 50P	1
116	1102 7700	Connector - TX24-50R-LT-N1	1
117	1204 1543	Dip Switch	1
118	1400 0556	Transistor - DTB143EK	1
119	1400 0558	Transistor - 2SD780	1
120	1402 0478	Diode - 1SS226TE85L	1
121	1402 0942	Diode - 1SS193	1
122	1402 1037	Diode - U1ZB12	1
123	1402 1122	Diode - MA159A	1
124	1402 1380	Diode - PTZ 6.2A	1
125	1407 1535	IC - TD62308AP	1
126	1407 1596	TTLIC - SN74LS14NS	1
127	1407 2187	TTLIC SN74LS07NS	1
128	1407 2219	IC - TD62003AP	1
129	1407 3281	IC - TC74HCU04AF	1
130	1407 3290	IC - TC74HC02AF	1
131	1407 3380	Hs-c2mos - Tc74hct04af	1
132	1408 0877	Comparator - LM339NS	1
133	1408 0920	Opeamp - Njm2902e	1
134	1408 1204	IC - TA8083P	1
135	1503 0865	Oscillator - 9.8304MHZ	1

Index No.	Part No.	Description	Q'ty Per Assembly
136	1600 1178	Resistor Array - 330Ω ±5% 1W	1
137	1601 7800	Resistor Array - 1KΩ ±5% 1/16W	1
138	1601 7801	Resistor Array - 10KΩ ±5% 1/16W	1
139	1604 2601	Capacitor - 47μF±20% 25V	1
140	1607 1002	IC - NFM60R30T222	1
141	1630 2221	Resistor - 220 Ω	1
142	1630 3100	Resistor - 10 Ω ±5% 1/10W	1
143	1630 3102	Resistor - 1KΩ 1/10W ±5%	1
144	1630 3103	Resistor - 10K Ω 1/10W ±5%	1
145	1630 3105	Resistor - 1M Ω ±5% 1/10W	1
146	1630 3152	Resistor - 1.5kΩ - 1/10W	1
147	1630 3161	Resistor - 160Ω 1/10w ±5%	1
148	1630 3204	Resistor - 200K Ω 1/10W ±5%	1
149	1630 3222	Resistor - 2.2KΩ 1/10W ±5%	1
150	1630 3223	Resistor - 22kΩ - 1/10W	1
151	1630 3330	Resistor - 33 Ω ±5% 1/10W	1
152	1630 3332	Resistor - 3.3KΩ 1/10W ±5%	1
153	1630 3362	Resistor - 3.6K Ω ±5% 1/10W	1
154	1630 3471	Resistor - 470Ω - 1/10W	1
155	1630 3472	Resistor - 4.7KΩ 1/10W ±5%	1
156	1630 3511	Resistor - 510 Ω ±5% 1/10W	1
157	1630 3562	Resistor - 5.6K Ω +5% 1/10W	1
158	1630 3681	Resistor - 680 Ω ±5% 1/10W	1
159	1631 0000	Resistor - 0Ω 1/4W	1
160	1631 1000	Resistor - 100 Ω ±1% 1/4W	1
161	1633 1003	Resistor - 100K Ω ±1% 1/10W	1
162	1633 1403	Resistor - 140K Ω ±1% 1/10W	1
163	1633 2402	Resistor - 24K Ω ±1% 1/10W	1
164	1633 4641	Resistor - 4.64K Ω ±1% 1/10W	1
165	1633 5231	Resistor - 5.23K Ω ±1% 1/10W	1
166	1633 5621	Resistor - 5.62K Ω ±1% 1/10W	1
167	1633 7150	Resistor - 715 Ω ±1% 1/10W	1
168	1640 2470	Capacitor - 47μF±20% 25V	1

Index No.	Part No.	Description	Q'ty Per Assembly
169	1640 5101	Capacitor - 100μF±20% 50V	1
170	1640 5470	Capacitor - 47μF±20% 50V	1
171	1660 3101	Capacitor - 100pF 50V	1
172	1660 3102	Capacitor - 1000pF ±5% 50V	1
173	1660 3220	Capacitor - 122pF ±5% 50V	1
174	1660 3331	Capacitor - 330pF ±5% 50V	1
175	1660 3471	Capacitor - 470pF 50V	1
176	1660 3820	Capacitor - 82pF ±5% 50V	1
177	1660 5472	Capacitor - 4700pF 50V	1
178	1660 7103	Capacitor - 10000pF 50V	1
179	1660 7104	Capacitor - 100000pF 50V	1

## 29.BICU BOARD (G035)

### CAPACITOR

SYMBOL NO.	INDEX NO.	SYMBOL NO.	INDEX NO.	SYMBOL NO.	INDEX NO.	SYMBOL NO.	INDEX NO.	SYMBOL NO.	INDEX NO.	SYMBOL NO.	INDEX NO.	SYMBOL NO.	INDEX NO.
C 101	193	C 111	193	C 121	184	C 148	191	C 161	190	C 171	----	C 181	192
C 102	181	C 112	----	C 122	188	C 149	191	C 162	193	C 172	192	C 182	----
C 103	180	C 113	----	C 123	147	C 150	191	C 163	----	C 173	183	C 183	183
C 104	193	C 114	----	C 124	193	C 151	186	C 164	----	C 174	192	C 184	183
C 105	180	C 115	----	C 125	147	C 152	186	C 165	192	C 175	183	C 185	183
C 106	193	C 116	----	C 126	180	C 153	193	C 166	----	C 176	183	C 186	183
C 107	183	C 117	183	C 127	188	C 154	190	C 167	----	C 177	193	C 187	183
C 108	183	C 118	183	C 128	184	C 155	----	C 168	----	C 178	183	C 188	183
C 109	183	C 119	183	C 129	----	C 156	----	C 169	183	C 179	192	C 189	----
C 110	192	C 120	184	C 130	----	C 157	193	C 170	183	C 180	190	C 190	183

### CAPACITOR

SYMBOL NO.	INDEX NO.	SYMBOL NO.	INDEX NO.	SYMBOL NO.	INDEX NO.	SYMBOL NO.	INDEX NO.	SYMBOL NO.	INDEX NO.	SYMBOL NO.	INDEX NO.	SYMBOL NO.	INDEX NO.
C 191	----	C 201	193	C 211	190	C 221	193	C 231	193	C 241	193	C 251	188
C 192	190	C 202	193	C 212	192	C 222	183	C 232	187	C 242	183	C 252	193
C 193	193	C 203	192	C 213	183	C 223	192	C 233	187	C 243	193	C 253	183
C 194	183	C 204	193	C 214	193	C 224	193	C 234	193	C 244	183	C 254	188
C 195	----	C 205	193	C 215	188	C 225	193	C 235	193	C 245	192	C 255	193
C 196	----	C 206	183	C 216	183	C 226	193	C 236	193	C 246	193	C 256	187
C 197	----	C 207	183	C 217	188	C 227	184	C 237	183	C 247	183	C 257	184
C 198	193	C 208	190	C 218	149	C 228	193	C 238	192	C 248	188	C 258	183
C 199	192	C 209	192	C 219	183	C 229	----	C 239	183	C 249	183	C 259	189
C 200	190	C 210	193	C 220	193	C 230	----	C 240	193	C 250	187	C 260	150

## CAPACITOR

SYMBOL NO.	INDEX NO.
C 261	184
C 262	----
C 263	193
C 264	193
C 265	150
C 266	149
C 267	193
C 268	150
C 269	193
C 270	193

SYMBOL NO.	INDEX NO.
C 271	192
C 272	150
C 273	192
C 274	193
C 275	148
C 276	193
C 277	193
C 278	192
C 279	193
C 280	190

SYMBOL NO.	INDEX NO.
C 281	193
C 282	193
C 283	193
C 284	193
C 285	184
C 286	193
C 287	193
C 288	193
C 289	193
C 290	193

SYMBOL NO.	INDEX NO.
C 291	193
C 292	193
C 293	193
C 294	193
C 295	193
C 296	192
C 297	183
C 298	192
C 299	192
C 300	193

SYMBOL NO.	INDEX NO.
C 301	192
C 302	192
C 303	192
C 304	183
C 305	193
C 306	190
C 307	183
C 308	----
C 309	----
C 310	----

SYMBOL NO.	INDEX NO.
C 311	193
C 312	----
C 313	193
C 314	192
C 315	----
C 316	----
C 317	185
C 328	189
C 329	----
C 330	190

SYMBOL NO.	INDEX NO.
C 331	190
C 332	182
C 333	182
C 334	182
C 335	182
C 336	182
C 337	182
C 338	182
C 339	182
C 340	182

## CAPACITOR

SYMBOL NO.	INDEX NO.
C 341	182
C 342	182
C 343	182
C 344	182
C 345	182
C 346	182
C 347	182

## CONNECTOR

SYMBOL NO.	INDEX NO.
CN 301	103
CN 302	---
CN 303	107
CN 304	109
CN 305	---
CN 306	---
CN 307	106
CN 308	105
CN 309	---
CN 310	108

SYMBOL NO.	INDEX NO.
CN 311	----
CN 312	104
CN 313	102

## DIODE

SYMBOL NO.	INDEX NO.
D 101	115
D 103	115

## FILTER

SYMBOL NO.	INDEX NO.
FIL 101	153
FIL 102	151
FIL 103	151
FIL 104	153
FIL 105	153
FIL 106	153
FIL 107	----
FIL 108	----
FIL 109	155
FIL 110	153

SYMBOL NO.	INDEX NO.
FIL 111	153
FIL 112	153
FIL 113	153
FIL 114	---
FIL 115	153
FIL 116	154
FIL 117	154
FIL 118	154
FIL 119	154
FIL 120	154

SYMBOL NO.	INDEX NO.
FIL 121	154
FIL 122	154
FIL 123	154
FIL 124	----
FIL 125	154
FIL 126	----
FIL 127	----
FIL 128	154
FIL 129	154
FIL 130	151

## 29.BICU BOARD (G035)

### FILTER

SYMBOL NO.	INDEX NO.
FIL 131	151
FIL 132	151
FIL 133	151

### IC

SYMBOL NO.	INDEX NO.
IC 101	4
(Socket)	111
IC 102	----
IC 103	----
IC 104	----
IC 105	195
IC 106	----
IC 107	124
IC 108	121
IC 109	3
IC 110	195

SYMBOL NO.	INDEX NO.
IC 111	194
IC 112	121
IC 113	125
IC 114	132
IC 115	129
IC 116	1
IC 117	125
IC 118	----
IC 119	----
IC 120	110

SYMBOL NO.	INDEX NO.
IC 121	127
IC 122	127
IC 123	125
IC 124	125
IC 125	132
IC 126	----
IC 127	130
IC 128	131
IC 129	2
IC 130	131

SYMBOL NO.	INDEX NO.
IC 131	120
IC 132	128
IC 133	122
IC 134	123
IC 135	122
IC 136	133
IC 137	126

### JP

SYMBOL NO.	INDEX NO.
JP 107	177
JP 108	177

### L

SYMBOL NO.	INDEX NO.
L 101	152
L 102	----
L 103	----
L 104	----
L 105	152
L 106	----
L 107	152
L 108	152
L 109	152
L 110	152

### L

SYMBOL NO.	INDEX NO.
L 111	152
L 112	----
L 113	----
L 114	152
L 115	152
L 116	152
L 117	----
L 118	152
L 119	152
L 120	152

### LED

SYMBOL NO.	INDEX NO.
LED 101	118
LED 102	119
LED 103	118
LED 104	119

### OSC

SYMBOL NO.	INDEX NO.
OSC 101	135
OSC 102	138
OSC 103	137
OSC 104	139
OSC 105	136

### Q

SYMBOL NO.	INDEX NO.
Q 101	113
Q 102	----
Q 103	112
Q 104	112
Q 105	114
Q 106	112

### RESISTOR

SYMBOL NO.	INDEX NO.
R 101	161
R 102	160
R 103	166
R 104	161
R 105	161
R 106	164
R 107	161
R 108	161
R 109	161
R 110	161

SYMBOL NO.	INDEX NO.
R 111	161
R 112	161
R 113	157
R 114	161
R 115	160
R 116	160
R 117	161
R 118	160
R 119	165
R 120	170

SYMBOL NO.	INDEX NO.
R 121	161
R 122	----
R 123	166
R 124	161
R 125	167
R 126	166
R 127	166
R 128	----
R 129	157
R 130	166



## 29.BICU BOARD (G035)

### RESISTOR

SYMBOL NO.	INDEX NO.	SYMBOL NO.	INDEX NO.	SYMBOL NO.	INDEX NO.	SYMBOL NO.	INDEX NO.	SYMBOL NO.	INDEX NO.	SYMBOL NO.	INDEX NO.	SYMBOL NO.	INDEX NO.
R 131	167	R 141	170	R 151	176	R 161	160	R 171	160	R 181	166	R 191	158
R 132	157	R 142	170	R 152	176	R 162	170	R 172	176	R 182	166	R 192	----
R 133	166	R 143	160	R 153	176	R 163	160	R 173	160	R 183	166	R 193	158
R 134	161	R 144	170	R 154	163	R 164	173	R 174	176	R 184	166	R 194	----
R 135	161	R 145	160	R 155	161	R 165	160	R 175	176	R 185	161	R 195	160
R 136	166	R 146	167	R 156	176	R 166	176	R 176	176	R 186	166	R 196	160
R 137	160	R 147	167	R 157	160	R 167	176	R 177	176	R 187	----	R 197	160
R 138	166	R 148	166	R 158	176	R 168	160	R 178	176	R 188	158	R 198	161
R 139	166	R 149	166	R 159	176	R 169	175	R 179	160	R 189	----	R 199	164
R 140	166	R 150	176	R 160	160	R 170	175	R 180	170	R 190	158	R 200	167

### RESISTOR

SYMBOL NO.	INDEX NO.	SYMBOL NO.	INDEX NO.	SYMBOL NO.	INDEX NO.	SYMBOL NO.	INDEX NO.	SYMBOL NO.	INDEX NO.	SYMBOL NO.	INDEX NO.	SYMBOL NO.	INDEX NO.
R 201	161	R 211	166	R 221	161	R 231	160	R 241	166	R 251	161	R 261	160
R 202	159	R 212	166	R 222	167	R 232	161	R 242	----	R 252	161	R 262	166
R 203	166	R 213	166	R 223	166	R 233	161	R 243	166	R 253	160	R 263	170
R 204	166	R 214	166	R 224	166	R 234	161	R 244	166	R 254	161	R 264	160
R 205	166	R 215	166	R 225	161	R 235	161	R 245	166	R 255	160	R 265	160
R 206	----	R 216	167	R 226	160	R 236	166	R 246	----	R 256	160	R 266	171
R 207	166	R 217	161	R 227	161	R 237	166	R 247	166	R 257	160	R 267	160
R 208	166	R 218	167	R 228	167	R 238	----	R 248	166	R 258	164	R 268	171
R 209	166	R 219	166	R 229	164	R 239	166	R 249	----	R 259	160	R 269	166
R 210	166	R 220	----	R 230	161	R 240	166	R 250	----	R 260	174	R 270	169

## 29.BICU BOARD (G035)

### RESISTOR

SYMBOL NO.	INDEX NO.	SYMBOL NO.	INDEX NO.	SYMBOL NO.	INDEX NO.	SYMBOL NO.	INDEX NO.	SYMBOL NO.	INDEX NO.	SYMBOL NO.	INDEX NO.	SYMBOL NO.	INDEX NO.
R 271	166	R 281	166	R 291	166	R 301	161	R 311	161	R 321	170	R 331	166
R 272	166	R 282	166	R 292	163	R 302	166	R 312	----	R 322	166	R 332	176
R 273	169	R 283	161	R 293	166	R 303	170	R 313	----	R 323	----	R 333	166
R 274	166	R 284	160	R 294	166	R 304	161	R 314	161	R 324	161	R 334	176
R 275	166	R 285	160	R 295	160	R 305	166	R 315	----	R 325	170	R 335	170
R 276	----	R 286	161	R 296	161	R 306	170	R 316	----	R 326	166	R 336	166
R 277	166	R 287	160	R 297	166	R 307	160	R 317	161	R 327	----	R 337	176
R 278	----	R 288	166	R 298	173	R 308	161	R 318	----	R 328	----	R 338	178
R 279	166	R 289	168	R 299	166	R 309	170	R 319	164	R 329	166	R 339	170
R 280	----	R 290	166	R 300	160	R 310	161	R 320	160	R 330	176	R 340	166

### RESISTOR

SYMBOL NO.	INDEX NO.	SYMBOL NO.	INDEX NO.	SYMBOL NO.	INDEX NO.	SYMBOL NO.	INDEX NO.	SYMBOL NO.	INDEX NO.	SYMBOL NO.	INDEX NO.
R 341	166	R 351	161	R 361	161	R 371	161	R 381	160	R 391	166
R 342	176	R 352	----	R 362	160	R 372	170	R 382	161	R 392	176
R 343	179	R 353	176	R 363	156	R 373	----	R 383	161	R 393	176
R 344	----	R 354	160	R 364	161	R 374	170	R 384	165	R 394	160
R 345	176	R 355	----	R 365	166	R 375	----	R 385	160	R 395	160
R 346	170	R 356	161	R 366	156	R 376	176	R 386	161	R 396	160
R 347	----	R 357	161	R 367	166	R 377	----	R 387	161	R 397	160
R 348	176	R 358	161	R 368	161	R 378	172	R 388	162	R 398	160
R 349	166	R 359	161	R 369	----	R 379	160	R 389	161	R 399	161
R 350	160	R 360	157	R 370	160	R 380	171	R 390	----	R 400	161

### REG

SYMBOL NO.	INDEX NO.
REG 101	134

## 29.BICU BOARD (G035)

### RN

SYMBOL NO.	INDEX NO.	SYMBOL NO.	INDEX NO.	SYMBOL NO.	INDEX NO.	SYMBOL NO.	INDEX NO.	SYMBOL NO.	INDEX NO.	SYMBOL NO.	INDEX NO.	SYMBOL NO.	INDEX NO.
RN 101	141	RN 111	142	RN 121	142	RN 131	143	RN 141	143	RN 151	142	RN 161	----
RN 102	141	RN 112	143	RN 122	143	RN 132	143	RN 142	144	RN 152	143	RN 162	----
RN 103	141	RN 113	143	RN 123	143	RN 133	142	RN 143	142	RN 153	----	RN 163	----
RN 104	142	RN 114	143	RN 124	143	RN 134	145	RN 144	143	RN 154	143	RN 164	----
RN 105	142	RN 115	143	RN 125	142	RN 135	142	RN 145	144	RN 155	143	RN 165	141
RN 106	143	RN 116	143	RN 126	143	RN 136	----	RN 146	143	RN 156	----	RN 166	141
RN 107	143	RN 117	142	RN 127	143	RN 137	143	RN 147	144	RN 157	145	RN 167	141
RN 108	143	RN 118	143	RN 128	140	RN 138	143	RN 148	142	RN 158	145	RN 168	141
RN 109	142	RN 119	143	RN 129	146	RN 139	143	RN 149	143	RN 159	145	RN 169	141
RN 110	144	RN 120	144	RN 130	143	RN 140	143	RN 150	144	RN 160	145		

### TP

SYMBOL NO.	INDEX NO.
TP 105	101
TP 125	101

### ZD

SYMBOL NO.	INDEX NO.
ZD 101	117
ZD 102	116

## 29.BICU BOARD (G035)

Index No.	Part No.	Description	Q'ty Per Assembly
*	G035 6020	PCB - Controller Board	
1	A232 5350	IC - HG71C103FD	1
2	A250 5503	IC - V-IPU	1
3	A284 5250	IC - IMAC_R RF5C499	1
4	A691 5170	Combination For Rom:ram Board:msuop	1

Index No.	Part No.	Description	Q'ty Per Assembly
101	1101 0328	Connector Pin Contact	1
102	1102 2854	Connector - 40P	1
103	1102 5304	Connector - 5P	1
104	1102 6297	Connector - 4P	1
105	1102 7132	Card Slot - 68p	1
106	1102 7196	Connector - 50P	1
107	1102 7389	Connector - FH12-50S-0.5SV	1
108	1102 7456	Connector 176125-5	1
109	1102 7702	Connector - TX25-60P-12ST-H1	1
110	1104 0588	DIP Socket - 28P	1
111	1104 0769	IC Socket	1
112	1400 0392	Transistor - DTC114EK	1
113	1400 0398	Transistor - 2SC2412K	1
114	1400 0459	Transistor - DTC143XKA	1
115	1402 0477	Silicon Diode - 1ss187	1
116	1402 1345	Diode - UDZ3.6B	1
117	1402 1380	Diode - PTZ 6.2A	1
118	1403 0828	Diode - SEC1901C	1
119	1403 0829	Diode - SEC1201C	1
120	1407 2135	TTLIC - 74F74SJ	1
121	1407 2143	TTLIC - 74F244SJ	1
122	1407 2144	TTLIC - 74F245SJ	1
123	1407 2187	TTLIC SN74LS07NS	1
124	1407 2218	TTLIC SN74LS06NS	1
125	1407 3008	TTL - SN74ALS244CNS	1
126	1407 3021	TTL SN74ALS139NS	1
127	1407 3206	IC - TC7S32F	1
128	1407 3411	SN74ALS541NS	1
129	1407 4044	IC - 74ACT14	1
130	1407 4771	IC - MC68334GFC16	1
131	1407 4963	IC - MBM29F800TA-70pFTN	1
132	1407 5110	CMOS SN74LV244ANS	1
133	1408 0575	IC - M51957BFP	1
134	1408 1266	Regulator - LT1086CM-3.3	1
135	1503 0239	Oscillator - HC-49/U-S 10Mhz	1

Index No.	Part No.	Description	Q'ty Per Assembly
136	1503 0460	Oscillator - 32.768Khz	1
137	1503 0784	Osillater - MA-406 19.6608Mhz	1
138	1503 0809	Oscillator - 30Mhz	1
139	1503 0860	Oscillator - 40.97Mhz	1
140	1601 7724	Resistor - 680 Ω MNR14J681	1
141	1601 7800	Resistor Array - 1KΩ ±5% 1/16W	1
142	1601 7801	Resistor Array - 10KΩ ±5% 1/16W	1
143	1601 7805	Resistor Array - 33 Ω ±5% 1/16W	1
144	1601 7807	Resistor Array - 3.3KΩ ±5% 1/16W	1
145	1601 7808	Resistor - 4.73K Ω ±5% 1/16W	1
146	1601 7809	Resistor Array - 2.2K Ω 1/16W	1
147	1604 4333	Capacitor - 100μF±20% 10V	1
148	1605 0577	Capacitor - 0.33μF+80-20%	1
149	1605 0685	Capacitor - 0.47MF	1
150	1605 0869	Capacitor - 820pF ±10% 50V	1
151	1607 0280	Inductor - BLM41	1
152	1607 0723	Noize Filter - N2012Z121	1
153	1607 0732	Noise Filter - Aef321825-470	1
154	1607 1031	Filter - ACB1608L-060	1
155	1607 1132	Filter - ACF321825-471	1
156	1630 3473	Resistor - 47KΩ 1/10W ±5%	1
157	1630 3511	Resistor - 510 Ω ±5% 1/10W	1
158	1630 4100	Resistor - 10 Ω ±5% 1/16W	1
159	1630 4101	Resistor - 100 Ω ±5% 1/16W	1
160	1630 4102	Resistor - 1.0K Ω ±5% 1/16W	1
161	1630 4103	Resistor - 10KΩ ±5% 1/16W	1
162	1630 4104	Resistor - 100 Ω ±5% 1/16W	1
163	1630 4106	Resistor -10m Ω ±5% 1/16w	1
164	1630 4222	Resistor - 2.2K Ω ±5%	1
165	1630 4223	Resistor - 22K Ω ±5% 1/16W	1
166	1630 4330	Resistor - 33 Ω ±5% 1/8W	1
167	1630 4332	Resistor - 3.3K Ω ±5% 1/16W	1
168	1630 4334	Resistor - 330K Ω ±5% 1/16W	1

Index No.	Part No.	Description	Q'ty Per Assembly
169	1630 4471	Resistor - 470 Ω ±5% 1/16W	1
170	1630 4472	Resistor - 4.7KΩ ±5% 1/16W	1
171	1630 4562	Registor - 5.6k Ω - ±5% - 1/16w	1
172	1630 4563	Resistor - 56KΩ ±5% 1/16W	1
173	1630 4680	Resistor - 68 Ω ±5% 1/16W	1
174	1630 4681	Resistor - 680 Ω ±5% 1/16W	1
175	1630 4751	Resistor - 50Ω±5.00% 1/16W	1
176	1630 4820	Resistor - 82 Ω ±5% 1/16W	1
177	1634 0000	Resistor - 0 Ω 1/16W	1
178	1634 1002	Resistor - 10 Ω ±5% 1/16W	1
179	1634 3921	Resistor - 3.92KΩ ±1% 1/1	1
180	1644 0470	Capacitor - 47μF±20% 10V	1
181	1644 5100	Capacitor - 10μF±20% 50V	1
182	1660 0100	Capacitor - 10PF ±0.5pF 50V	1
183	1660 2101	Capacitor - 100pF - ±10% - 50V	1
184	1660 2150	Capacitor - 15pF ±5% 50V	1
185	1660 2151	Capacitor - 150pF ±20% 35V	1
186	1660 2180	Capacitor 18pF ±5% 50v	1
187	1660 2220	Capacitor - 22pF ±20% 35V	1
188	1660 2330	Capacitor - 33pF - ±5% - 50V	1
189	1660 2470	Capacitor - 47pF ±5% 50V	1
190	1660 4102	Capacitor - 1000pF ±10% 50V	1
191	1660 4222	Capacitor - 2200pF - ±10% - 50V	1
192	1660 6103	Capacitor - 10000pF - +80%-20%, 50V	1
193	1660 8104	Capacitor - 0.1μF+80-20% 25V	1
194	1901 0046	DRAM 4M 256kX16 70NS G8	1
195	1907 0002	SDRAM 64M 1MX16X4 100MHZ G1	1

### 30.CONTROLLER BOARD (G035)

#### CAPACITOR

SYMBOL NO.	INDEX NO.	SYMBOL NO.	INDEX NO.	SYMBOL NO.	INDEX NO.	SYMBOL NO.	INDEX NO.	SYMBOL NO.	INDEX NO.	SYMBOL NO.	INDEX NO.	SYMBOL NO.	INDEX NO.
C 1	----	C 11	123	C 21	140	C 31	140	C 41	140	C 51	140	C 61	140
C 2	----	C 12	123	C 22	140	C 32	140	C 42	140	C 52	140	C 62	139
C 3	----	C 13	123	C 23	140	C 33	140	C 43	140	C 53	140	C 63	140
C 4	123	C 14	123	C 24	140	C 34	140	C 44	140	C 54	140	C 64	140
C 5	----	C 15	140	C 25	140	C 35	140	C 45	140	C 55	140	C 65	140
C 6	123	C 16	140	C 26	140	C 36	140	C 46	140	C 56	140	C 66	140
C 7	123	C 17	140	C 27	140	C 37	140	C 47	140	C 57	140	C 67	139
C 8	13	C 18	140	C 28	140	C 38	140	C 48	140	C 58	140	C 68	140
C 9	13	C 19	140	C 29	140	C 39	140	C 49	140	C 59	140	C 69	140
C 10	123	C 20	140	C 30	140	C 40	140	C 50	140	C 60	140	C 70	140

#### CAPACITOR

SYMBOL NO.	INDEX NO.	SYMBOL NO.	INDEX NO.	SYMBOL NO.	INDEX NO.
C 71	140	C 81	140	C 91	140
C 72	140	C 82	140	C 92	140
C 73	140	C 83	140	C 93	140
C 74	140	C 84	140	C 94	140
C 75	140	C 85	----	C 95	140
C 76	140	C 86	140	C 96	140
C 77	140	C 87	139	C 97	140
C 78	140	C 88	140	C 98	139
C 79	139	C 89	140	C 99	139
C 80	140	C 90	140	C 100	----

#### CONNECTOR

SYMBOL NO.	INDEX NO.	SYMBOL NO.	INDEX NO.	SYMBOL NO.	INDEX NO.
C 101	----	C 106	140	CN 1	105
C 102	----	C 107	140	CN 2	103
C 103	140	C 108	139	CN 3	11
C 104	138	C 109	139	CN 4	101
C 105	138	C 110	140	CN 5	----
CN 6	----	CN 7	----		
CN 8	----	CN 9	----		
CN 10	104				

#### DIODE

SYMBOL NO.	INDEX NO.
D 1	8

### 30.CONTROLLER BOARD (G035)

#### FILTER

SYMBOL NO.	INDEX NO.
FIL 1	124
FIL 2	124
FIL 3	124
FIL 4	124
FIL 5	124
FIL 6	125

#### IC

SYMBOL NO.	INDEX NO.
IC 1	---
IC 2	118
IC 3	121
IC 4	121
IC 5	121
IC 6	121
IC 7	---
IC 8	112
IC 9	113
IC 10	116

SYMBOL NO.	INDEX NO.
IC 11	120
IC 12	3
IC 13	3
IC 14	3
IC 15	3
IC 16	3
IC 17	3
IC 18	3
IC 19	3
IC 20	3

SYMBOL NO.	INDEX NO.
IC 21	3
IC 22	3
IC 23	3
IC 24	3
IC 25	5
IC 26	2
IC 27	116
IC 28	4
IC 29	3
IC 30	3

SYMBOL NO.	INDEX NO.
IC 31	3
IC 32	3
IC 33	3
IC 34	3
IC 35	3
IC 36	3
IC 37	3
IC 38	3
IC 39	1
IC 40	113

SYMBOL NO.	INDEX NO.
IC 41	115
IC 42	12
IC 43	117
IC 44	---
IC 45	---
IC 46	---
IC 47	---
IC 48	3
IC 49	3
IC 50	3

SYMBOL NO.	INDEX NO.
IC 51	3
IC 52	119
(Socket)	106
IC 53	3
IC 54	114
IC 55	141
IC 56	141
IC 57	141
IC 58	141
IC 59	---
IC 60	3

#### IC

SYMBOL NO.	INDEX NO.
IC 61	117
IC 62	117

#### JP

SYMBOL NO.	INDEX NO.
JP 1	136
JP 2	136
JP 3	136
JP 4	136
JP 5	136
JP 6	136
JP 7	136
JP 8	136
JP 9	136
JP 10	136

SYMBOL NO.	INDEX NO.
JP 11	136
JP 12	---
JP 13	136
JP 14	136
JP 15	136
JP 16	136
JP 17	136
JP 18	136
JP 19	136
JP 20	136

SYMBOL NO.	INDEX NO.
JP 21	---
JP 22	---
JP 23	136
JP 24	137

#### L

SYMBOL NO.	INDEX NO.
L 1	9

#### LED

SYMBOL NO.	INDEX NO.
LED 1	110
LED 2	111
LED 3	111
LED 4	111
LED 5	111

#### OSC

SYMBOL NO.	INDEX NO.
OSC 1	122
OSC 2	6

### 30.CONTROLLER BOARD (G035)

Q

#### RESISTOR

SYMBOL NO.	INDEX NO.
Q1	7

SYMBOL NO.	INDEX NO.
R 1	10
R 2	131
R 3	128
R 4	128
R 5	128
R 6	128
R 7	128
R 8	128
R 9	128
R 10	127

SYMBOL NO.	INDEX NO.
R 11	128
R 12	127
R 13	128
R 14	128
R 15	128
R 16	128
R 17	128
R 18	131
R 19	131
R 20	131

SYMBOL NO.	INDEX NO.
R 21	131
R 22	126
R 23	129
R 24	129
R 25	129
R 26	129
R 27	131
R 28	131
R 29	129
R 30	129

SYMBOL NO.	INDEX NO.
R 31	128
R 32	128
R 33	128
R 34	128
R 35	128
R 36	128
R 37	128
R 38	128
R 39	128
R 40	131

SYMBOL NO.	INDEX NO.
R 41	131
R 42	131
R 43	----
R 44	128
R 45	129
R 46	128
R 47	128
R 48	129
R 49	131
R 50	----

SYMBOL NO.	INDEX NO.
R 51	128
R 52	----
R 53	----
R 54	128
R 55	128
R 56	134
R 57	134
R 58	134
R 59	134
R 60	132

#### RESISTOR

SYMBOL NO.	INDEX NO.
R 61	128
R 62	134
R 63	134
R 64	134
R 65	134
R 66	134
R 67	134
R 68	134
R 69	----
R 70	128

SYMBOL NO.	INDEX NO.
R 71	128
R 72	128
R 73	132
R 74	131
R 75	128
R 76	131
R 77	131
R 78	128
R 79	128
R 80	128

SYMBOL NO.	INDEX NO.
R 81	128
R 82	----
R 83	133
R 84	127
R 85	125
R 86	126
R 87	127
R 88	130
R 89	128
R 90	128

SYMBOL NO.	INDEX NO.
R 91	135
R 92	135
R 93	135
R 94	135
R 95	128
R 96	128
R 97	128
R 98	128
R 99	128
R 100	128

SYMBOL NO.	INDEX NO.
R 101	128
R 102	128
R 103	128
R 104	135
R 105	135
R 106	135
R 107	135
R 108	135
R 109	135

#### SWIHC

SYMBOL NO.	INDEX NO.
SW 1	108
SW 2	109

#### TB

SYMBOL NO.	INDEX NO.
TB 1	102
TB 2	102
(Socket)	107



### 30.CONTROLLER BOARD (G035)

Index No.	Part No.	Description	Q'ty Per Assembly
*	G035 6020	PCB - Controller Board	
1	A850 5202	IC - QP1800	
2	A850 5203	IC - XC5202-6VQ64C	
3	A850 5204	IC - IDT74FCT2245CTQ	
4	A850 5206	IC - MAX707CSA	
5	A850 5207	IC - MAX1626ESA	
6	A850 5208	Oscillator - SG531P 14.7456MH	
7	A850 5210	Transistor - MMSF3P02HD	
8	A850 5211	Diode - MBRS340T3	
9	A850 5212	Coil - CDRH125-220	
10	A850 5215	Resistor - 0.04 $\Omega$ $\pm$ 1.00% 1W	
11	A850 5222	Connector - DHB-PK50-S13NN	
12	G035 6050	IC - PPC603EPG-100	
13	G035 6052	Capacitor - 10V 220 $\mu$ F $\pm$ 20%	
14	H523 7105	Connector:53871-6810	

Index No.	Part No.	Description	Q'ty Per Assembly
101	1102 5063	CON:FCN685J036-L/YA	
102	1102 5944	Pin Header - 3P	
103	1102 6653	Connector - 44P	
104	1102 7395	SIMM Socket - 89185-7214	
105	1102 7626	Connector - TX25-80P-LT-N1	
106	1104 0377	IC Socket - 28P DICF-28CS-E	
107	1104 0683	Socket - IMSA-9206H-GF	
108	1204 2286	Switch - SKHHLMA010	
109	1204 2368	Dip Switch - DSS804	
110	1403 0531	LED - PG1102W	
111	1403 0664	LED - BR1102W	
112	1407 1596	TTLIC - SN74LS14NS	
113	1407 2134	TTLIC - 74F32SJ	
114	1407 2463	TTL - IC - SN74ALS08NS	
115	1407 2588	TTLIC - SN74ALS04BNS	
116	1407 2816	TTL - SN74ALS374ANS	
117	1407 2833	TTLIC - SN74ALS273NS	
118	1407 3355	TTLIC 74F125SJ	
119	1407 4815	IC - M48Z58Y-70PC1	
120	1407 5016	IC - 74LVX161284MEA	
121	1407 5151	IC - MBM29F160TE70TN	
122	1503 0713	Oscillator - SG-531PH 66MHZ	
123	1604 4454	Capacitor - 22 $\mu$ F20V	
124	1607 0978	Inductor - BLM21P300SPB	
125	1607 1045	Filter - ACB2012M-300	
126	1630 2100	Resistor - 10 $\Omega$ 1/8W $\pm$ 5%	
127	1630 2102	Resistor - 1K $\Omega$ 1/8W $\pm$ 5%	
128	1630 2103	Resistor - 10K $\Omega$ 1/8W	
129	1630 2220	Resistor - 22 $\Omega$ 1/8W $\pm$ 5%	
130	1630 2222	Resistor - 2.2K $\Omega$ 1/8W	
131	1630 2271	Resistor - 270 $\Omega$ - 1/8W	
132	1630 2332	Resistor - 3.3K $\Omega$ 1/8W $\pm$ 5%	
133	1630 3100	Resistor - 10 $\Omega$ $\pm$ 5% 1/10W	
134	1630 3101	Resistor - 100 $\Omega$ - 1/10W	

Index No.	Part No.	Description	Q'ty Per Assembly
135	1630 3330	Resistor - 33 $\Omega$ $\pm$ 5% 1/10W	
136	1632 0000	Resistor - 0 $\Omega$ 1/8W	
137	1634 0000	Resistor - 0 $\Omega$ 1/16W	
138	1660 3471	Capacitor - 470pF 50V	
139	1660 5102	Capacitor - 1000pF $\pm$ 10% 50V	
140	1660 7104	Capacitor - 100000pF 50V	
141	1903 1015	DRAM 16M 1MX16 60NS EDO G8	


Index No.	Part No.	Description	Q'ty Per Assembly

# 31.DECAL AND DOCUMENT (G035)

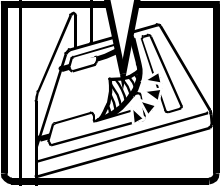
<p>1</p> <p>CAUTION/ATTENZIONE ACHTUNG/PRECAUTION ATTENTION/注意</p> <p>•HOT SURFACE AVOID CONTACT •HEIßE OBERFLÄCHE •SURFACE CHAUDE •EVITEZ LE CONTACT</p> <p>•SUPERFICIE CALDA NON TOCCARE •NO TOCAR, ALTA TEMPERATURA •高温です。 •手をふれないでください。</p>	<p>3</p> <table border="1"> <tr> <td></td> <td>A3</td> <td>A4</td> <td>11×17</td> <td>5½×8½</td> </tr> <tr> <td></td> <td>A3</td> <td>B4</td> <td>11×17</td> <td>8½×11</td> </tr> <tr> <td></td> <td>A4</td> <td>B5</td> <td>8½×14</td> <td>8½×11</td> </tr> <tr> <td></td> <td>A4</td> <td>B5</td> <td>11×8½</td> <td>11×15</td> </tr> <tr> <td></td> <td>A4</td> <td>レター</td> <td>11×8½</td> <td>10×14</td> </tr> <tr> <td></td> <td>A4</td> <td>レター</td> <td>11×8½</td> <td>8×10½</td> </tr> <tr> <td></td> <td>A4</td> <td>A5</td> <td>11×8½</td> <td>8×10</td> </tr> <tr> <td></td> <td>F</td> <td>F</td> <td>*</td> <td>*</td> </tr> <tr> <td></td> <td colspan="2">消耗品入れ</td> <td></td> <td></td> </tr> </table>		A3	A4	11×17	5½×8½		A3	B4	11×17	8½×11		A4	B5	8½×14	8½×11		A4	B5	11×8½	11×15		A4	レター	11×8½	10×14		A4	レター	11×8½	8×10½		A4	A5	11×8½	8×10		F	F	*	*		消耗品入れ			
	A3	A4	11×17	5½×8½																																										
	A3	B4	11×17	8½×11																																										
	A4	B5	8½×14	8½×11																																										
	A4	B5	11×8½	11×15																																										
	A4	レター	11×8½	10×14																																										
	A4	レター	11×8½	8×10½																																										
	A4	A5	11×8½	8×10																																										
	F	F	*	*																																										
	消耗品入れ																																													
<p>2</p> <p>&gt;PS&lt;</p>																																														
<p>4</p> <p>&gt;PS&lt;</p>	<p>6</p> <p>&gt;PS&lt;</p>																																													
<p>5</p> <p>&gt;PS&lt;</p>	<p>7</p> <p>&gt;PS&lt;</p>																																													
	<p>8</p> <p>&gt;PS&lt;</p>																																													
	<p>9</p> <p>11×17/8½×14 A3/B4</p> <p>&gt;PS&lt;</p>																																													

### 31.DECAL AND DOCUMENT (G035)

10

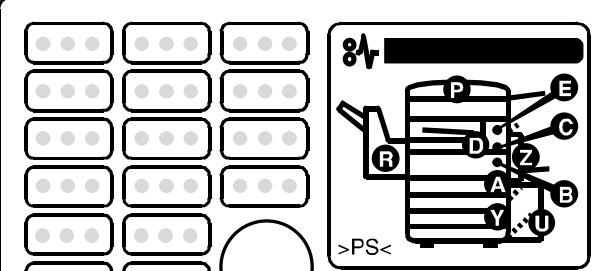


- The image is printed on the back side.
- L'image est imprimée sur la face inférieure.
- Das Kopienbild wird auf die Papierrückseite kopiert.
- L'immagine viene stampata sul retro.
- La imagen se imprimirá en la parte inferior del panel.
- プリントする面を下にして、セットしてください。

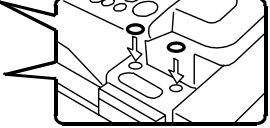


>PS<

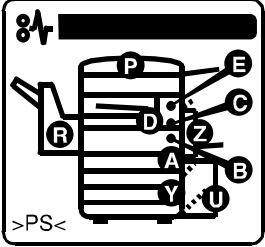
11



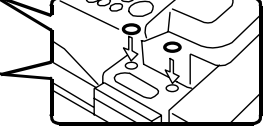
>PS<




1	2
3	4



>PS<

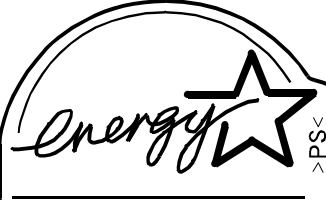


12



注意 ここを持たないでください。 ACHTUNG CAUTION ATTENZIONE ATENCION >PS<

13



>PS<

14



15

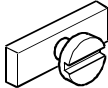
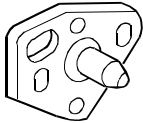
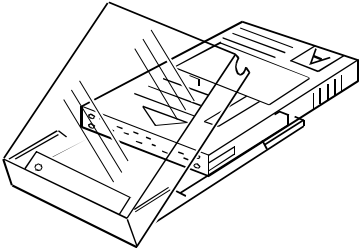
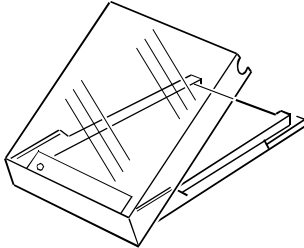
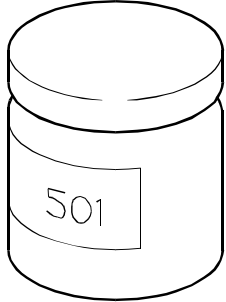
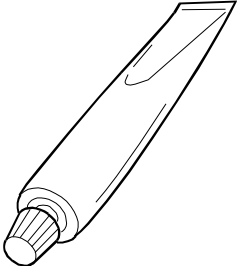
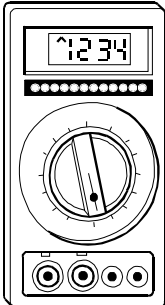


### 31.DECAL AND DOCUMENT (G035)

<p>16</p>			
<p>17</p>	<p>18</p>	<p>CAUTION VORSICHT</p>	<p>19</p>
<p>20</p>	<p>22</p>	<p>23</p>	<p>24</p>
<p>21</p>			



32.SPECIAL TOOLS (G035)

<p>1</p> 	<p>2</p> 	<p>3</p> 	<p>4</p> 	<p>5</p> 
<p>6</p> 	<p>7</p> 			

### 32.SPECIAL TOOLS (G035)

Index No.	Part No.	Description	Q'ty Per Assembly
1	A230 9004	Positioning Pin Laser Unit	1
2	A230 9003	Adjusting Cam - Laser Unit	1
3	A230 9352	Flash Memory Card - 4MB	1
4	A230 9351	Case - Flash Memory Card	1
5	5203 9501	Grease 501	1
6	A028 9300	Grease Barrierta JFE 55/2	1
7	A029 9387	Digital Multimeter - FLUKE87	1

Index No.	Part No.	Description	Q'ty Per Assembly



# **PARTS INDEX**

## PM Parts Index

Section Name	Part No.	Description in Service Manual	Description in Parts Catalog	Q'ty Per Assembly	Page and Index No
BY-PASS FEED UNIT 2 (G035)	AF03 0036	Pick Up Roller (By-pass)	Pick Up Roller	1	17- 22
	AF03 1036	Feed Roller (By-pass)	Feed Roller	1	17- 40
	AF03 2036	Separation Roller (By-pass)	Separation Roller	1	17- 2
PAPER FEED SECTION (G035)	AF03 0035	Pick-up Roller (Paper Tray)	Pick-up Roller	1	19- 1
	AF03 1035	Feed Roller (Paper Tray)	Feed Roller	1	19- 6
	AF03 2035	Separation Roller (Paper Tray)	Separation Roller	1	19- 36
PCU UNIT 2 (G035)	A232 2430	Cleaning Pad - Charge Roller	Cleaning Pad	1	29- 13
	A232 2353	Drum Cleaning Blade	Cleaning Blade Ass'y	1	29- 22
	AD02 5021	Pick-off Pawl	Pick-off Pawl	2	29- 3
	AD02 7006	Charge Roller	Charge Roller	1	29- 26
TRANSFER UNIT 1 (G035)	A232 3880	Transfer Belt	Transfer Belt	1	31- 23
	A232 3830	Transfer Belt Cleaning Blade	Cleaning Blade - Transfer Belt	1	31- 21
DEVELOPMENT UNIT (G035)	AA01 2102	Development Filter	Development Filter	1	35- 15
FUSING UNIT (G035)	AE01 1050	Hot Roller	Hot Roller	1	37- 17
	AE02 0074	Pressure Roller	Pressure Roller - M30	1	37- 22
	AE04 4022	Hot Roller Strippers	Hot Roller Strippers	2	37- 6

Part No.	Description	Page and Index No.
G035 1260	Front Cover (RIC)	9- 8
G035 1870	Imaging Unit - Adonis-P - NA	13- 29
G035 2985	Paper Size Sensor Actuator - NA	23- 19
G035 2986	Paper Size Sensor Actuator - EU	23- 19
G035 3050	Development Unit	35- 1
G035 3900	Case - Transfer Unit - Adonis	31- 1
G035 5051	PCB - A-BICU	53- 6
G035 5125	PCB - IOB	65- *
G035 5125	PCB - IOB	53- 4
G035 5150	PCB - Mother Board	59- 2
G035 5401	Harness - DC - Lower	53- 2
G035 5402	Harness - DC - Upper	53- 9
G035 5404	Harness - Development - Detection	21- 36
G035 5407	Harness - Paper Feed - Size Sensor	49- 36
G035 5411	Harness - Bank - Junction	49- 8
G035 5416	Hauness - HDD - IDE	53- 22
G035 5416	Hauness - HDD - IDE	59- 11
G035 5516	Harness - Ground Wire - Dehumid	57- 13
G035 5520	Harness - DC - Power Supply	53- 24
G035 5520	Harness - DC - Power Supply	51- 11
G035 5521	Harness - DC - Joint Unit	33- 35
G035 5522	Harness - DC Safety Switch	51- 10
G035 5522	Harness - DC Safety Switch	53- 7
G035 5524	Harness - DC - HDD	59- 10
G035 6010	PCB Controller Board	61- 3
G035 6020	PCB - Controller Board	71- *
G035 6020	PCB - Controller Board	75- *
G035 6050	IC - PPC603EPG-100	75- 12
G035 6052	Capacitor - 10V 220 $\mu$ F $\pm$ 20%	75- 13
G035 6224	Spacer - NIC	61- 1
G035 7021	Front Cover (OEM)	9- 8
G035 7071	Model Name Plate - GES	9- 37
G035 7072	Model Name Plate - SVN	9- 37
G035 7233	Operation Panel Assy - NA	11- 25
G035 7571	Model Name Plate - NST	9- 37

Part No.	Description	Page and Index No
G035 7572	Model Name Plate - REX	9- 37
G035 7633	Operation Panel Assy - EU	11- 25

Part No.	Description	Page and Index No.
AA00 0204	Decal - Right Lower Cover	9- 28
AA00 0204	Decal - Right Lower Cover	79- 12
AA00 1389	Large Decal - Energy Star	79- 13
AA00 1389	Large Decal - Energy Star	9- 34
AA00 1392	Decal - A1	79- 14
AA00 1392	Decal - A1	9- 19
AA00 1393	Decal - A2	21- 32
AA00 1393	Decal - A2	79- 15
AA00 3003	Decal - Paper Set	23- 7
AA00 3003	Decal - Paper Set	79- 16
AA01 2102	Development Filter	35- 15
AA02 1030	Magnet Catch	41- 19
AA04 3416	Timing Belt - 40S3M192	9- 31
AA04 3441	Timing Belt - S2M	47- 22
AA04 3442	Timing Belt - S3M-264	47- 3
AA04 3443	Timing Belt - S2M 140	43- 20
AA04 3443	Timing Belt - S2M 140	45- 10
AA04 3444	Timing Belt - S2M 350	45- 1
AA04 3445	Timing Belt - S3M-360	49- 4
AA04 3446	Timing Belt - S3M-312	49- 11
AA04 3447	Timing Belt - S2M 210	39- 25
AA05 1027	Wire - Fusing Drive	33- 25
AA06 0687	Pressure Spring	37- 26
AA06 0689	Tension Spring	33- 26
AA06 0690	Spring	47- 15
AA06 0691	Tension Spring	19- 4
AA06 0692	Tension Spring	19- 23
AA06 0693	Tension Spring	19- 37
AA06 0694	Tension Spring	49- 13
AA06 0695	Tension Spring	49- 34
AA06 0696	Tension Spring	47- 8
AA06 0697	Tension Spring	39- 16
AA06 0701	Tension Spring	37- 7
AA06 0708	Pressure Spring	43- 11
AA06 0709	Tension Spring	41- 15

Part No.	Description	Page and Index No.
AA06 0711	Pressure Spring	31- 10
AA06 0712	Torsion Spring	31- 27
AA06 0713	Tension Spring	53- 21
AA06 0716	Tension Spring	39- 17
AA06 2299	Pressure Spring	29- 18
AA06 2300	Tension Spring	29- 19
AA06 2301	Tension Spring	29- 11
AA06 2303	Tension Spring	27- 27
AA06 2304	Pressure Spring	21- 23
AA06 2305	Tension Spring	21- 10
AA06 2310	Pressure Spring	29- 5
AA06 3303	Pressure Spring	41- 16
AA06 3304	Terminal Spring	21- 19
AA06 3305	Torsion Spring	31- 8
AA06 3306	Tension Spring	33- 19
AA06 3371	Spring	47- 29
AA06 3499	Pressure Spring	17- 5
AA06 3561	Pressure Spring	29- 16
AA06 3563	Spring	9- 23
AA06 3564	Tension Spring	9- 14
AA06 3566	Pressure Spring	25- 8
AA06 3567	Tension Spring	17- 29
AA06 3568	Pressure Spring	17- 26
AA06 3569	Spring	17- 36
AA06 3570	Tension Spring	37- 37
AA06 6152	Tension Spring	43- 4
AA06 6292	Tension Spring	49- 7
AA06 6293	Torsion Spring	45- 17
AA06 6574	Torsion Spring	15- 9
AA06 6575	Torsion Spring	33- 8
AA06 6576	Torsion Spring	33- 12
AA06 6577	Torsion Spring	21- 29
AA08 0034	Bushing - 4x5x7	41- 10
AA08 0227	Bushing - M4	43- 10
AA08 0229	Front Busing - M6	21- 26

Part No.	Description	Page and Index No.
AA08 0230	Rear Busing - M6	21- 22
AA08 0232	Bushing - M4	33- 20
AA08 0234	Bushing - 12x18x6	35- 30
AA08 0246	Bushing - Bias Rollr	31- 26
AA08 0254	Bushing - M4	9- 15
AA08 2054	Bushing - M4	31- 32
AA08 2070	Bushing - 8x16x7	19- 8
AA08 2070	Bushing - 8x16x7	15- 8
AA08 2072	Bushing - M6	19- 26
AA08 2073	Roller Busing	37- 36
AA08 2074	Bushing - M8	43- 1
AA08 2075	Bushing - M6	45- 3
AA08 2079	Bushing - 6x8x5.8	33- 3
AA08 2080	Bushing - M8	21- 20
AA08 3010	Clutch Roller - 6x14x10	17- 30
AA08 3014	One-way Clutch	19- 29
AA12 0089	Antistatic Brush	39- 8
AA14 0140	Screw - M3X4.5	37- 34
AA14 0655	Shaft - Paper Feed	19- 28
AA14 0656	Shaft - Gear	19- 20
AA14 0660	Feed Shaft	17- 21
AA14 0666	Shaft - Hook	33- 9
AA14 3219	Stepped Screw	35- 7
AA14 3301	Stepped Screw - M3x4	53- 20
AA14 3432	Stepped Screw - M3	55- 19
AA14 3461	Stepped Screw - M2.5	45- 19
AA14 3461	Stepped Screw - M2.5	33- 33
AA14 3499	Stepped Screw	59- 17
AA14 3511	Stepped Screw	55- 26
AA14 3511	Stepped Screw	57- 17
AA14 3512	Stepped Screw - M2.5	53- 14
AA14 3762	Tapping Screw - M3x10	23- 20
AA14 5260	Gear Shaft	49- 30
AA14 5810	Slide Shaft	25- 4
AA14 8574	Junction Gate Shaft	39- 32

Part No.	Description	Page and Index No
AA14 9291	Pin - Link	21- 11
AA15 0401	Seal - 70x20	31- 9
AA15 0684	Shield Plate	55- 4
AA15 0685	Seal - 215x10	11- 30
AA15 2283	Ring - M12	35- 25
AA15 2403	Sponge - Laser Unit Cover	13- 7
AA15 3052	Entrance Seal - Toner Supply	35- 6
AA15 3053	Sponge - 317x5x5	35- 28
AA15 3054	Sponge - 17x7x5	35- 27
AA15 3059	Sponge - 8x8x1	35- 29
AA15 3062	Sponge - M46	35- 26
AA15 3390	Sponge - 202x3.5x4	11- 8
AA15 3391	Frame Seal - Rear Right	33- 36
AA15 3392	Sponge - 24x6x5	33- 11
AA15 3393	Frame Seal - Rear Vertical	33- 29
AA16 1125	Rubber Cushon	59- 16
AA16 1126	Exchange Powl Cushion	41- 11
AA16 1127	Cushion - 16x6x4	39- 4
AA16 1128	Cushion - 12x8x2	39- 18
AA16 2046	Cushion - 347x10x5	43- 7
AB01 0106	Gear - 24Z	19- 19
AB01 0107	Gear - 23Z	19- 17
AB01 1088	Gear - 30Z	45- 13
AB01 1188	Gear - 21Z	19- 3
AB01 1189	Gear - 18Z	19- 7
AB01 1190	Gear - 25Z	31- 34
AB01 1377	Gear - 14Z	27- 7
AB01 1378	Gear - 19Z	27- 12
AB01 1379	Gear - 19Z	27- 15
AB01 1380	Cam - Cleaning Blade	27- 14
AB01 1383	Joint Gear - 45z	35- 16
AB01 1384	Gear - 29Z	35- 11
AB01 1386	Development Sleeve Gear	35- 12
AB01 1387	Gear - 23Z	17- 23
AB01 1388	Gear - Z16	17- 8

Part No.	Description	Page and Index No.
AB01 1389	Gear - 20Z	17- 7
AB01 1390	Gear - 27Z	17- 34
AB01 3485	Gear - 20Z	21- 33
AB01 3882	Gear - 40Z	37- 18
AB01 4036	Gear - 27Z	49- 5
AB01 4037	Gear - 24Z	49- 2
AB01 4038	Gear - 22Z	49- 9
AB01 4039	Gear - 31Z	49- 21
AB01 4040	Gear - 29Z	49- 23
AB01 4041	Gear - 37Z	47- 17
AB01 4042	Gear - 37Z	47- 18
AB01 4045	Gear - 33Z	47- 12
AB01 4046	Gear - 25Z	37- 29
AB01 4047	Gear - 29Z	21- 24
AB01 4048	Gear - 30Z	47- 2
AB01 4049	Gear - 24Z	39- 10
AB01 4051	Gear - 16Z	21- 27
AB01 4053	Gear - 30Z	43- 23
AB01 4060	Gear - 21Z	35- 4
AB01 4061	Gear - 13Z	35- 3
AB01 4062	Gear - 17Z/25Z	35- 5
AB01 4090	Gear - 18Z	19- 39
AB01 7429	Gear - 27Z	31- 12
AB01 7454	Gear - 24Z/30Z	17- 32
AB01 7455	Gear - 21Z/35Z	43- 18
AB01 7456	Gear - 20Z	43- 19
AB01 7457	Gear Pulley - 20Z/40T	45- 11
AB01 7458	Gear Pulley - 18Z/22T	39- 30
AB01 7460	Gear - Pully - 30Z/24T	47- 4
AB01 7461	Gear Pulley - 30Z/20T	47- 5
AB03 0474	Pulley - 24T	45- 2
AB03 0561	Timing Pulley - 31Z/20T	49- 17
AB03 0562	Timing Pulley - 31Z/20T	49- 14
AB03 0564	Pulley - M17	9- 33
AB03 0564	Pulley - M17	49- 16

Part No.	Description	Page and Index No.
AB03 0565	Timing Pulley - 20T	49- 3
AB03 0566	Timing Pulley - 20T	49- 32
AB03 0568	Pulley - 23T	39- 22
AB03 0574	Timing Pulley - 79T	47- 21
AB03 0584	Timing Pulley - 15T	9- 27
AB03 0590	Pulley - M17	49- 28
AC01 5024	Shield Glass - Polygon Motor	13- 28
AC01 5025	Shield Glass	13- 8
AD01 5020	Drum Shaft	47- 31
AD02 1127	Receptacle	21- 18
AD02 5021	Pick-off Pawl	29- 3
AD02 7006	Charge Roller	29- 26
AD03 8078	Paddle	35- 24
AD04 3050	Toner Collection Coil	27- 5
AD04 4000	Toner Collection Mylar	27- 10
AD04 7023	Cleaning Entrance Seal	29- 8
AE01 1050	Hot Roller - Mm39.8 T2.8	37- 17
AE02 0074	Pressure Roller - M30	37- 22
AE04 2039	Fusing Cleaning Roller	37- 35
AE04 4022	Hot Roller Stripper	37- 6
AE04 4024	Pressure Roller Stripper	37- 4
AF01 3014	Bottom Plate Pad	23- 5
AF01 3016	Bottom Plate Pad	17- 6
AF01 7020	End Fence	23- 6
AF02 0404	Transport Roller	19- 32
AF02 0406	Transport Roller	39- 5
AF02 0407	Transport Roller	39- 21
AF02 0408	Driven Roller - M16	33- 21
AF02 0410	Registration Roller	21- 7
AF02 0411	Driven Roller	43- 9
AF02 0412	Driven Roller	41- 17
AF02 0413	Driven Roller	43- 12
AF02 0414	Transport Roller	45- 4
AF02 0415	Transport Roller	45- 6
AF02 1059	Driven Registration Roller	21- 8

Part No.	Description	Page and Index No.
AF02 5036	Duplex Junction Gate	41- 14
AF03 0035	Pick-up Roller	19- 1
AF03 0036	Pick Up Roller	17- 22
AF03 1035	Feed Roller	19- 6
AF03 1036	Feed Roller	17- 40
AF03 2035	Separation Roller	19- 36
AF03 2036	Separation Roller	17- 2
AF04 0031	Driven Roller	17- 18
AF04 0557	Roller - M16	39- 7
AF04 0559	Driven Roller - M9	33- 16
AF04 0559	Driven Roller - M9	15- 23
AF04 0560	Driven Roller	39- 14
AG05 0085	Registration Roller Knob	21- 28
AG05 0086	Knob - Hot Roller	37- 19
AG05 1137	Handle Lever	33- 32
AG07 0014	Magnet Catch	9- 20
AG07 1010	Magnet Catch	11- 9
AH01 0009	Rubber Pad - H5	57- 11
AW01 0048	Photo Sensor - GP2A28N1	43- 3
AW01 0048	Photo Sensor - GP2A28N1	21- 17
AW02 0056	Photointerruptor - EE-SX4235A-P1	17- 19
AW02 0056	Photointerruptor - EE-SX4235A-P1	11- 21
AW02 0056	Photointerruptor - EE-SX4235A-P1	19- 31
AW02 0056	Photointerruptor - EE-SX4235A-P1	49- 35
AW02 0056	Photointerruptor - EE-SX4235A-P1	21- 39
AW02 0056	Photointerruptor - EE-SX4235A-P1	45- 15
AW02 0096	Photointerruptor	19- 35
AW02 0097	Photointerruptor	47- 10
AW02 0098	Photosensor	39- 1
AW02 0102	Photointerruptor	45- 9
AW10 0051	Thermistor	37- 11
AW31 0006	Toner Overflow Sensor	31- 11
AW50 0022	Push Switch	53- 17
AX04 0077	DC Motor - 3W	49- 18
AX05 0117	DC Motor - 2.4W	47- 23

Part No.	Description	Page and Index No
AX06 0145	DC Motor - 48W	47- 35
AX06 0180	Polygon Scanner - 27300rpm	13- 9
AX20 0138	Electrical Clutch	49- 19
AX20 0138	Electrical Clutch	21- 21
AX20 0140	Electrical Clutch	17- 31
AX20 0153	Electrical Clutch	49- 1
AX44 0107	Fusing Lamp - 120V 860W	37- 14
AX44 0117	Heater - 230V 430W	37- 14
AX50 0046	Quenching Lamp	55- 10
AX64 0080	Fan Motor - DC 2.88W	51- 1
AZ23 0074	Power Supply Unit - 100/115V	51- 12
AZ23 0076	Power Supply Unit - 230V	51- 12
AZ32 0086	High Voltage Supply - CBT	51- 5
G010 3039	Knob - Entrance Guide	21- 31
G011 3305	Gear - 16T	15- 13
G020 1053	Guard Bracket	57- 5
G020 1184	Flange - Fly Wheel	47- 20
G020 1189	Fly Wheel	47- 19
G020 1332	Hinge - Front Cover	9- 7
G020 1917	Decal - LD	13- 3
G020 1917	Decal - LD	79- 17
G020 1918	Decal - Laser Diode (230V)	79- 18
G020 1918	Decal - Laser Diode (230V)	13- 2
G020 1920	Decal - Laser Diode (115V)	13- 2
G020 1920	Decal - Laser Diode (115V)	79- 18
G020 1964	1st Mirror	13- 16
G020 1966	Cylindrical Lens	13- 12
G020 1968	F Theta Mirror	13- 22
G020 1969	BTL Lens	13- 19
G020 2620	Push Switch - Paper Size	49- 10
G034 1060	Guide - Development Unit	55- 24
G034 1061	Feeler - New Unit Detection	21- 34
G034 1062	Lever - PCU	55- 23
G034 1071	Bracket - Micro Switch	33- 34
G034 1170	Duct - Mainframe - Left	51- 3

Part No.	Description	Page and Index No.
G034 1250	Cover - Upper	11- 4
G034 1253	Cover - Small - Upper Right	11- 24
G034 1292	Rear Cover - CSS	11- 28
G034 1373	Inner Cover - Right	33- 10
G034 1380	Sheet - Operation Instructions	9- 10
G034 1383	Decal - Left - Adonis-P	79- 21
G034 1383	Decal - Left - Adonis-P	9- 2
G034 1384	Decal - Paper Jam	79- 22
G034 1384	Decal - Paper Jam	11- 27
G034 1413	Bracket - Operation Sub Unit	11- 31
G034 1969	Shading Plate - Laser Diode	55- 17
G034 1971	Sheet - Shading Plate	55- 22
G034 2329	Stopper - PCU	27- 18
G034 2450	Bracket - PCU And Development	35- 32
G034 2451	Bracket - Development Stay	35- 31
G034 2452	Gear - New Unit Detection - 6Z	35- 33
G034 2454	Decal - Caution - PCU	79- 23
G034 2454	Decal - Caution - PCU	27- 32
G034 2951	Paper Tray Assy - A3	23- 1
G034 2986	Flanged Hexagonal Head Bolt - M4x8	23- 2
G034 2987	Socket	23- 15
G034 2991	Sprint Plate - Paper Size Sensor	23- 21
G034 2993	Flanged Hexagonal Head Bolt - M3x6	11- 35
G034 2993	Flanged Hexagonal Head Bolt - M3x6	59- 6
G034 2993	Flanged Hexagonal Head Bolt - M3x6	61- 8
G034 3100	Development Sleeve Ass'y	35- 9
G034 3199	Bracket - New Article Sensor	21- 35
G034 3240	Cover - Toner Bottle	25- 12
G034 3811	Decal - Transfer Unit - Front	79- 24
G034 3811	Decal - Transfer Unit - Front	33- 38
G034 3812	Decal - Transfer Unit - Rear	33- 37
G034 3812	Decal - Transfer Unit - Rear	79- 19
G034 3935	Shaft - Transfer Unit Stopper	31- 3
G034 4082	Bracket - Rear Grip	37- 41
G034 4083	Bracket - Front Grip	37- 40

Part No.	Description	Page and Index No
G034 4094	Harness - Fusing Unit (NA)	37- 33
G034 4131	Fusing Cover	37- 3
G034 4151	Harness - Fusing Unit - EU	37- 33
G034 4201	Stopper - Fusing Unit	55- 12
G034 4231	Flanged Hexagonal Head Bolt - M3x8	11- 36
G034 4497	Holder - Sensor Harness	11- 11
G034 5820	Spring Plate - Power Supply Unit	51- 14
G034 5821	Guide - Switch Harness	55- 25
G034 5831	Bracket - I/O Control Board	53- 5
G034 5890	Panel Assy - Rack-P	59- 7
G034 5892	Cover - Stay	59- 9
G034 7320	Fusing Unit - NA	37- 1
G034 7720	Fusing Unit - EU	37- 1
G523 5831	Lower Cover - HDD	59- 13
G523 5836	Bracket - HDD	59- 12
G523 5837	Cushion - Hdd Bracket	59- 15
GA08 0002	Bushing - 6mm	17- 35
GC03 0020	Sync. Detector Mirror	13- 24
H523 7105	Connector:53871-6810	75- 14
N607 4525	Coil - RITL-9704	51- 16
N607 6527	Fan Motor - DC 0.96W	51- 15



Part No.	Description	Page and Index No.
A028 9300	Grease Barrierta JFE 55/2	82- 6
A029 9387	Digital Multimeter - FLUKE87	82- 7
A134 1383	Decal - Emblem - RIC	79- 20
A134 1383	Decal - Emblem - RIC	9- 9
A134 2661	Feeler Roller	17- 17
A134 2843	Spacer 6x30x1.5	17- 12
A134 3180	Bottle Chuck	25- 11
A176 1317	Cap - 34x55	11- 6
A176 1318	Cap - 16	11- 26
A190 4476	Decal - High Temperature	79- 1
A190 4476	Decal - High Temperature	55- 13
A230 1268	Upper Cover - Paper Feed	9- 6
A230 2688	Film - Stay - Upper Front	57- 16
A230 2693	Stopper - Front	57- 9
A230 2696	Front Grip	57- 14
A230 2699	Stopper - Front Grip	57- 3
A230 2699	Stopper - Front Grip	57- 15
A230 9003	Adjusting Cam - Laser Unit	82- 2
A230 9004	Positioning Pin Laser Unit	82- 1
A230 9351	Case - Flash Memory Card	82- 4
A230 9352	Flash Memory Card - 4MB	82- 3
A230 9510	OPC Drum	29- 29
A232 1052	Front Grip Plate	57- 2
A232 1053	Rear Grip Plate	57- 6
A232 1071	Guide Rail - Development Unit	55- 14
A232 1072	Lower Stay - PCU	21- 6
A232 1075	Guide Rail - Fusing Unit	55- 11
A232 1081	Center Frame	55- 3
A232 1082	Left Stay - Paper Exit	55- 1
A232 1083	Bracket - Bridge Unit	55- 2
A232 1088	Bracket- Fusing Connector	55- 21
A232 1089	Upper Plate - Laser Unit	55- 5
A232 1115	Fusing Relay Gear	47- 16
A232 1118	Bracket - Gear	47- 13
A232 1138	Belt Holder	47- 1

Part No.	Description	Page and Index No.
A232 1149	Support Bracket - Drum Drive	47- 32
A232 1151	Link Plate - Drum Drive	47- 34
A232 1160	Bracket - Switch Lever	33- 24
A232 1161	Lever - Interlock Switch	33- 27
A232 1171	Right Duct	51- 4
A232 1172	Duct - Cooling Fan	51- 2
A232 1173	Sheet - Duct	11- 20
A232 1252	Duct - Upper Cover	11- 7
A232 1257	Cap - Upper Cover	11- 29
A232 1258	Cap - IC Card	11- 5
A232 1266	Left Hinge - Front Cover	57- 1
A232 1267	Right Hinge - Front Cover	57- 4
A232 1272	Right Rear Cover	9- 26
A232 1282	Cap - Switch	9- 3
A232 1283	Left Cover - Paper Feed Sub-unit	9- 5
A232 1284	Spring Holder	59- 3
A232 1284	Spring Holder	27- 31
A232 1284	Spring Holder	9- 4
A232 1284	Spring Holder	21- 4
A232 1286	Stopper - Plate	9- 36
A232 1291	Rear Cover	11- 19
A232 1297	Upper Cap - Rear Cover	11- 18
A232 1298	Lower Cap - Rear Cover	11- 17
A232 1299	Bracket	11- 34
A232 1371	Inner Cover - Right Upper	11- 13
A232 1375	Left Inner Cover	11- 12
A232 1381	Decal - Total Counter	79- 2
A232 1381	Decal - Total Counter	11- 10
A232 1385	Decal - Indication	79- 3
A232 1386	Decal - Fusing Jam	79- 4
A232 1900	Housing - Laser Unit	13- 6
A232 1904	Cap - Laser Unit Cover	13- 4
A232 1918	Heatsink - Polygon Motor	13- 10
A232 1920	Decal - Heatsink	13- 11
A232 1920	Decal - Heatsink	79- 5

Part No.	Description	Page and Index No.
A232 1921	Front Holder - F Theta Mirror	13- 20
A232 1922	Rear Holder - F Theta Mirror	13- 21
A232 1923	Front Holder - BTL	13- 17
A232 1924	Rear Holder - BTL	13- 18
A232 1925	Middle Mirror Holder	13- 15
A232 1926	Mirror Holder	13- 14
A232 1927	Cylindrical Lens Holder	13- 13
A232 1928	Holder - Sync. Detector Mirror	13- 23
A232 1936	Holder - Laser Unit Ass'y	51- 8
A232 1936	Holder - Laser Unit Ass'y	55- 15
A232 1937	Positing Pin - Laser Unit Ass'y	55- 16
A232 1971	Support Cover - Imaging Unit	13- 5
A232 2277	Front Seal	29- 32
A232 2278	Rear Seal	29- 33
A232 2279	Shield - Toner Supply - Entrance	29- 31
A232 2280	Tape - Entrance Seal	29- 7
A232 2281	Cover - Cleaning Unit	27- 2
A232 2288	Shaft - Toner Collection Mylar	27- 9
A232 2289	Front Bushing - Collection Mylar	27- 8
A232 2290	Bushing - Collection Mylar	27- 11
A232 2292	Bushing - Toner Collection Coil	27- 6
A232 2293	Handle - PCU	27- 1
A232 2294	Idler Bracket	27- 13
A232 2298	Bracket - Charge Cleaning	29- 10
A232 2300	Roller - Cleaning	29- 12
A232 2303	Front Arm - Charge Unit	29- 15
A232 2305	Rear Arm - Charge Unit	29- 23
A232 2308	Rear Terminal - Charge Roller	29- 24
A232 2310	Bracket - Cleaning Blade	29- 20
A232 2315	Front Bushing - Cleaning Bracket	29- 17
A232 2316	Stud - Cleaning Bracket	29- 1
A232 2318	Collar - Cleaning	29- 21
A232 2321	Shutter - Toner Supply	27- 28
A232 2322	Shield - Shutter - Toner Supply	27- 16
A232 2323	Front Cover - PCU	27- 21

Part No.	Description	Page and Index No.
A232 2328	Cap - Toner Supply	27- 20
A232 2339	Spur	29- 6
A232 2340	Holder - Pick-off Pawl	29- 4
A232 2353	Cleaning Blade Ass'y	29- 22
A232 2354	Front Terminal - Charge Roller	29- 27
A232 2356	Stepped Screw - M6	29- 9
A232 2362	Stay - PCU	55- 8
A232 2365	Guide Rail - PCU	21- 1
A232 2366	Holder - ID Sensor	21- 3
A232 2367	ID Sensor	21- 5
A232 2372	Lock Lever - Transfer Unit	47- 7
A232 2373	Magnet - Quenching Lamp	55- 9
A232 2374	Spur	21- 2
A232 2379	Transfer Unit Clutch	47- 9
A232 2380	Terminal Plate - Charge Roller	47- 30
A232 2381	Harness - Charge Roller	47- 27
A232 2382	Terminal Plate - Development Bias	47- 28
A232 2383	Harness - Development Bias	47- 26
A232 2403	Receptacle - Charge Roller	27- 17
A232 2406	Lower Frame - OPC	29- 2
A232 2408	Spring Plate	27- 19
A232 2412	Seal - 2x7x14.5	27- 26
A232 2413	Seal - Front Lower	27- 23
A232 2414	Seal - 2x20x45	27- 24
A232 2416	Seal - 1x3x80	27- 25
A232 2417	Seal - 1x7x12.5	27- 22
A232 2418	Seal - Shutter	27- 29
A232 2419	Left Seal - Clening Cover	27- 4
A232 2420	Right Seal - Cleaning Cover	27- 3
A232 2421	Bushing - 6x10x3	29- 25
A232 2422	Guide PCU	29- 30
A232 2430	Cleaning Pad	29- 13
A232 2572	Guide Plate - Entrance - Upper	21- 37
A232 2574	Upper Entrance Guide	21- 9
A232 2578	Stopper - Guide Plate	21- 25

Part No.	Description	Page and Index No.
A232 2583	Lower Entrance Guide	21- 15
A232 2594	Bracket - Registration Sensor	21- 14
A232 2596	Link Lever	21- 12
A232 2692	Cover - Paper Drive	57- 10
A232 2700	Arm - Gear	49- 6
A232 2702	Pulley Bracket	49- 31
A232 2703	Tightener	49- 33
A232 2705	Tightener - Paper Feed	49- 12
A232 2707	Support Bracket	49- 27
A232 2709	Spacer - By-pass Feed	49- 15
A232 2710	Upper Holder Plate	49- 25
A232 2711	Lower Holder Plate	49- 24
A232 2720	Gear Bracket	9- 30
A232 2722	Knob	9- 32
A232 2723	Support Plate - Knob	9- 22
A232 2724	Knob Cover	9- 29
A232 2750	Paper Feed Unit Ass'y	19- 38
A232 2760	Housing - Paper Feed Unit	19- 9
A232 2762	Paper End Feeler	19- 13
A232 2763	Pick-up Arm	19- 2
A232 2764	Rear Grounding Plate	19- 27
A232 2765	Front Grounding Plate	19- 10
A232 2766	Feed Mylar	19- 40
A232 2770	Stay - Paper Separation	19- 18
A232 2774	Pressure Lever	19- 21
A232 2775	Link Lever	19- 22
A232 2776	Release Lever	19- 15
A232 2777	Shaft - Paper Separation	19- 12
A232 2780	Stay - Paper Feed	19- 33
A232 2781	Sensor Bracket	19- 34
A232 2782	Rear Feed Mylar	19- 14
A232 2783	Torque Limitter	17- 3
A232 2783	Torque Limitter	19- 11
A232 2785	Vertical Guide	19- 41
A232 2786	Guide Plate	19- 24

Part No.	Description	Page and Index No.
A232 2787	Vertical Transport Guide	19- 25
A232 2857	Cover - Vertical Transport	9- 21
A232 2858	Upper Support Plate	9- 25
A232 2859	Lower Support Plate	9- 18
A232 2860	Entrance Seal	9- 24
A232 2862	Driven Roller	9- 16
A232 2863	Stopper Band	9- 13
A232 2876	Lower Cover - Vertical Transport	9- 11
A232 2882	Bracket - Microswitch	49- 26
A232 2972	Bottom Lift Shaft	23- 12
A232 2975	Bottom Lift Plate	23- 10
A232 2976	Grounding Plate - Paper Tray	23- 13
A232 2977	Bottom Plate	23- 4
A232 2978	Left Shoe	23- 17
A232 2979	Front Side Fence	23- 3
A232 2983	Rear Side Fence	23- 14
A232 2987	Roller - Paper Tray	23- 11
A232 2988	Handle - Paper Tray	23- 8
A232 2990	Guide Rail - Paper Tray	57- 12
A232 2995	Front Positioning Guide	57- 7
A232 2996	Rear Positioning Guide	57- 8
A232 2997	Right Stopper - Paper Tray	23- 9
A232 2999	Right Spacer	23- 16
A232 3056	Lower Development Case	35- 23
A232 3065	TD Sensor	35- 18
A232 3067	Tape - TD Sensor	35- 17
A232 3068	Front Bias Terminal - Dev.unit	35- 19
A232 3069	Rear Bias Terminal - Dev.unit	35- 20
A232 3081	Flange - Paddle	35- 22
A232 3096	Flange - Side Plate	35- 21
A232 3131	Front Shield - Development Sleeve	35- 10
A232 3132	Rear Shield - Development Sleeve	35- 8
A232 3150	Entrance Seal Ass'y	35- 14
A232 3155	Front Cover - Development Unit	35- 2
A232 3170	Development Drive Unit Ass'y	47- 33

Part No.	Description	Page and Index No.
A232 3198	Mylar - Regist Guide Plate	21- 38
A232 3210	Guide - Toner Supply Unit	55- 6
A232 3230	Case - Toner Supply Ass'y	25- 6
A232 3251	Chuck Shaft	25- 9
A232 3252	Slider Ass'y	25- 10
A232 3261	Handle - Toner Supply	25- 5
A232 3262	Slide Rail - Toner Supply	25- 3
A232 3263	Spring Plate - Toner Bottle	25- 7
A232 3264	Stopper - Slide Rail	55- 7
A232 3266	Seal - Slide Rail	25- 2
A232 3552	Ball Bearing - 8x22x7	49- 29
A232 3553	Ball Bearing - 8x16x5	29- 28
A232 3559	Ball Bearing - 30x42x7	37- 16
A232 3560	Ball Bearing - 8x22x7	37- 21
A232 3561	Ball Bearing - 8x22	47- 24
A232 3830	Cleaning Blade - Transfer Belt	31- 21
A232 3880	Transfer Belt	31- 23
A232 3882	Frange - Transfer Unit	31- 35
A232 3883	Spring Plate - Transfer Unit	31- 30
A232 3885	Driven Roller - Transfer Unit	31- 29
A232 3887	Rear Terminal - Transfer Belt	31- 31
A232 3889	Bias Roller	31- 28
A232 3891	Bias Terminal	31- 33
A232 3893	Arm - Transfer Belt	31- 25
A232 3894	Drive Roller - Transfer Belt	31- 24
A232 3904	Entrance Mylar - Transfer Unit	31- 37
A232 3905	Seal - Shield Plate	31- 18
A232 3906	Seal - Rear Transfer Exit	31- 36
A232 3907	Seal - Transfer Exit	31- 19
A232 3908	Seal - Rear Case	31- 15
A232 3909	Seal - Front Case	31- 22
A232 3911	Rear Lever - Transfer Belt	31- 5
A232 3912	Front Lever - Transfer Belt	31- 6
A232 3913	Bin - Release Lever	31- 16
A232 3916	Pressure Lever - Transfer Belt	31- 4

Part No.	Description	Page and Index No.
A232 3917	Release Lever - Transfer Belt	31- 14
A232 3921	Spring Anchor	31- 7
A232 3923	Bracket - Cleaning Blade	31- 20
A232 3924	Rear Bushing - Cleaning Holder	31- 13
A232 3925	Front Bushing - Cleaning Holder	31- 2
A232 3926	Transfer Belt Roller	31- 38
A232 3927	Shield - Transfer Belt - Exit	31- 17
A232 3928	Toner Guide Mylar	31- 39
A232 3940	Right Cover	33- 4
A232 3941	Fulcrum Pin - Right Cover	33- 1
A232 3942	Stopper - Right Cover	33- 2
A232 3945	Front Hook - Right Cover	33- 7
A232 3948	Rear Hook - Right Cover	33- 13
A232 3950	Hook Lever	33- 30
A232 3962	Spring Plate - Band Stopper	33- 23
A232 3963	Band Stopper	33- 22
A232 3977	Shield Cover	33- 6
A232 3985	Link - Cover	21- 30
A232 3991	Decal - Shield Cover	79- 6
A232 3991	Decal - Shield Cover	33- 5
A232 3995	Relay Harness-toner Overflow Sensor	33- 39
A232 3998	Upper Entrance Guide	33- 15
A232 3999	Lower Entrance Guide	33- 14
A232 4051	Frame - Fusing Unit	37- 28
A232 4053	Fusing Lower Shield	37- 27
A232 4055	Stay - Fusing Unit	37- 13
A232 4056	Pressure Lever	37- 25
A232 4057	Front Collar - Pressure Lever	37- 24
A232 4058	Rear Collar - Pressure Lever	37- 30
A232 4059	Positioning Plate - Pressure Lever	37- 23
A232 4064	C Riung - Hot Roller	37- 15
A232 4072	Spring - Hot Roller Knob	37- 20
A232 4081	Upper Frame - Fusing Unit	37- 10
A232 4092	Bracket - Fusing Connector	37- 32
A232 4095	Terminal Plate - Fusing Unit	37- 31

Part No.	Description	Page and Index No.
A232 4100	Thermofuse	37- 8
A232 4105	Terminal Plate - Thermofuse	37- 12
A232 4111	Front Bracket - Fusing Lamp	37- 5
A232 4115	Rear Bracket - Fusing Lamp	37- 9
A232 4123	Upper Fusing Entrance Guide	37- 38
A232 4127	Lower Fusing Entrance Guide	37- 39
A232 4452	Gate Pawl - Entrance	39- 12
A232 4460	Left Frame - Paper Exit	39- 9
A232 4463	Roller Holder	39- 13
A232 4465	Upper Guide Plate - Paper Exit	39- 3
A232 4467	Entrance Junction Gate	39- 31
A232 4468	Lever - Entrance Junction Gate	39- 15
A232 4470	Right Frame - Paper Exit	39- 28
A232 4473	Exit Junction Gate	39- 20
A232 4474	Bracket - Idle Gear	39- 29
A232 4477	Guide - Junction Gate	39- 19
A232 4479	Support Plate - Right Frame	39- 26
A232 4481	Solenoid- Entrance Gate	39- 24
A232 4484	Solenoid - Exit Gate	39- 27
A232 4488	Harness Guide	39- 6
A232 4491	Guide Plate - Fusing Exit	33- 18
A232 4493	Roller Holder	33- 17
A232 4496	Sub Copy Tray	11- 3
A232 4497	End Fence - Copy Tray	11- 1
A232 4498	Copy Tray Guide	11- 2
A232 4499	Copy Tray Mylar	11- 32
A232 4622	Guide Plate - Right Lower	45- 5
A232 4630	Lower Stay - Duplex	45- 7
A232 4634	Inverter Guide	43- 8
A232 4638	Front Side Plate	43- 25
A232 4642	Rear Side Plate	43- 26
A232 4645	Middle Guide Plate	41- 4
A232 4648	Guide Plate - Driven Roller	41- 13
A232 4653	Pressure Plate - Guide Plate	41- 9
A232 4657	Inverter Roller	43- 13

Part No.	Description	Page and Index No
A232 4665	DC Motor - 17W	45- 14
A232 4665	DC Motor - 17W	43- 22
A232 4668	Bracket - Inverter Motor	43- 21
A232 4678	Bracket - Feed Motor	45- 12
A232 4684	Handle - Unit Release	43- 2
A232 4685	Hook - Unit Release	43- 5
A232 4692	Link Solenoid Ass'y	43- 24
A232 4697	Bracket - Micro Switch	45- 18
A232 4700	Duplex Cover	41- 18
A232 4709	Support Tray - Duplex Unit	41- 20
A232 4720	Inner Cover - Duplex Unit	41- 1
A232 4730	Rear Inner Cover	41- 6
A232 4751	Sensor Bracket	45- 16
A232 4757	Bracket - Feed Sensor	45- 8
A232 4763	Bracket - Entrance Sensor	43- 6
A232 4780	Pin - Stopper	55- 20
A232 4790	Link - Duplex Unit	45- 20
A232 4793	Bracket - Link Lever	41- 8
A232 4800	Bracket - Duplex Drive Board	43- 14
A232 4810	Harness Cover - Duplex Unit	41- 7
A232 4810	Harness Cover - Duplex Unit	9- 17
A232 4850	Decal - Upper Grip	79- 6
A232 4850	Decal - Upper Grip	41- 12
A232 4851	Decal - Jam Removal	79- 7
A232 4851	Decal - Jam Removal	41- 3
A232 4852	Jam Removal Decal - Duplex	41- 2
A232 4852	Jam Removal Decal - Duplex	79- 8
A232 4853	Upper Decal - Duplex Unit	41- 21
A232 4853	Upper Decal - Duplex Unit	79- 9
A232 5130	PFB Board	49- 20
A232 5140	Duplex Drive Board	43- 15
A232 5310	Laser Sync. Detector	13- 25
A232 5350	IC - HG71C103FD	71- 1
A232 5355	IC - GATEX	65- 1
A232 5402	DC Harness - Front Upper	53- 3

Part No.	Description	Page and Index No.
A232 5403	Harness - IOB / PFB	53- 1
A232 5405	Main Harness - Paper Feed	49- 22
A232 5410	Connector Finisher	51- 17
A232 5420	Harness - Registration Sensor	21- 16
A232 5421	Harness - Toner Overflow Sensor	33- 28
A232 5422	Harness - Exit Sensor	39- 2
A232 5423	Harness - Exit Gate Solenoid	39- 23
A232 5425	Development I/T Board	55- 18
A232 5427	Harness By-pass Feed	17- 28
A232 5428	Harness - Paper Feed Unit	19- 30
A232 5431	Main Harness - Fusing Unit (115V)	53- 11
A232 5432	Harness - Duplex Unit	43- 16
A232 5433	Harness - Duplex Sensor	43- 17
A232 5437	Relay Harness - Charge Contact Sensor	47- 11
A232 5441	Harness - LDDR	53- 8
A232 5444	Harness - Laser Unit	13- 27
A232 5515	Harness - AC Switch	53- 19
A232 5526	Power Supply Cord - 115V	51- 13
A232 5527	Power Supply Cord - 230V	51- 13
A232 5811	Bracket High Voltage Supply	51- 6
A232 5825	Connector Bracket	53- 10
A232 5838	Spring Plate - BICU	53- 23
A232 5838	Spring Plate - BICU	9- 35
A232 5839	Sheet - DC Motor	47- 14
A232 5860	Braket - Interlock Switch	53- 13
A232 5861	Lever - Interlock Switch	53- 12
A232 5865	Lever - Push Switch	53- 18
A232 5866	Bracket - Push Switch	53- 15
A232 5867	Angle Bracket Push Switch	53- 16
A232 5874	Bracket - Power Supply Cord	51- 9
A232 6009	By-pass Feed Table Ass'y	15- 24
A232 6022	Housing - By-pass Feed	17- 13
A232 6023	Grounding Plate - Reverse	17- 15
A232 6028	Guide Plate Paper Separator	17- 10
A232 6033	Shaft Driven Roller	17- 4

Part No.	Description	Page and Index No
A232 6035	Shaft - Drive Roller	17- 9
A232 6038	Gear Cover	17- 11
A232 6043	Arm - Paper Pick-up	17- 20
A232 6044	Support Plate	17- 24
A232 6046	Grounding Plate - Feed	17- 25
A232 6049	Solenoid Bracket	17- 37
A232 6051	Pickup Solenoid	17- 27
A232 6055	Paper End Feeler	17- 16
A232 6057	Bracket - By-pass Feed Drive	17- 41
A232 6059	Arm Tightener	17- 33
A232 6061	Tightener Bracket	17- 38
A232 6065	Rail - By-pass Feed	17- 39
A232 6067	By-pass Feed Table	15- 10
A232 6068	Cover By-pass Table	15- 11
A232 6069	Front Side Fence	15- 21
A232 6070	Rear Side Fence	15- 19
A232 6071	Sub - Front Fence	15- 22
A232 6072	Sub - Rear Fence	15- 20
A232 6073	Decal - By-pass Feed	15- 16
A232 6073	Decal - By-pass Feed	79- 10
A232 6080	Paper Size Detector	15- 15
A232 6082	Front Rack	15- 12
A232 6083	Rear Rack	15- 14
A232 6085	Guide By-pass Table	15- 17
A232 6090	Bracket Positioning Pin	15- 6
A232 6091	Positioning Pin	15- 7
A232 6092	Roller - Holder	15- 18
A232 6095	Frame By-pass Unit Holder	15- 2
A232 6106	Middle Lower Cover	15- 1
A232 6107	Middle Upper Cover	15- 5
A232 6108	Rear Cover - By-pass Unit	15- 4
A232 6109	Front Cover - By-pass Unit	15- 3
A232 7210	Drum Holder	47- 25
A232 7219	Lower Rear Cover	11- 16
A232 7365	Upper Frame - PCU	27- 30

Part No.	Description	Page and Index No.
A232 7380	Option Decal - Sub-unit LT	79- 11
A232 7466	Toner supply Unit (OEM)	25- 1
A232 7666	Toner supply Unit - 230V (RIC)	25- 1
A232 7755	Main Harness - Fusing Unit (230V)	53- 11
A232 7756	Harness - Circuit Breaker (230V)	51- 19
A232 7757	Bracket - Circuit Breaker (230V)	51- 18
A232 7780	Option Decal - Sub-unit A4	79- 11
A233 5871	Expansion Rack	59- 4
A235 2979	Feeler - Paper Height Sensor	23- 18
A235 4491	Paper Sensor Ass'y	11- 33
A235 4492	Sensor Cover	11- 14
A235 4493	Sensor Bracket	11- 15
A235 4496	Sensor Actuator	11- 23
A235 5410	Relay Sensor Harness	11- 22
A250 5503	IC - V-IPU	71- 2
A282 1135	Bracket - Pulley Gear	47- 6
A284 1015	Bracket - BICU	53- 25
A284 1086	Support Plate - Scanner Arm	51- 7
A284 1870	Imaging Unit (230V)	13- 29
A284 1891	Laser Diode Unit	13- 26
A284 1904	Cover - Optical Housing	13- 1
A284 5250	IC - IMAC_R RF5C499	71- 3
A285 1275	Cover - Left	9- 1
A285 5842	Gasket - Rack	59- 5
A285 5865	Cover - Rear	59- 1
A285 5879	Stay - Rack - Front	59- 8
A287 5805	Grip - Printer Bracket	61- 4
A691 5170	Combination For Rom:ram Board:msuop	71- 4
A691 5877	Hard Disk Drive	59- 14
A850 5202	IC - QP1800	75- 1
A850 5203	IC - XC5202-6VQ64C	75- 2
A850 5204	IC - IDT74FCT2245CTQ	75- 3
A850 5206	IC - MAX707CSA	75- 4
A850 5207	IC - MAX1626ESA	75- 5
A850 5208	Oscillator - SG531P 14.7456MH	75- 6

Part No.	Description	Page and Index No
A850 5210	Transistor - MMSF3P02HD	75- 7
A850 5211	Diode - MBRS340T3	75- 8
A850 5212	Coil - CDRH125-220	75- 9
A850 5215	Resistor - 0.04 $\Omega$ $\pm$ 1.00% 1W	75- 10
A850 5222	Connector - DHB-PK50-S13NN	75- 11
A850 5862	Cover - IC Card	61- 9
A853 5000	HDD Harness	61- 5
A853 5872	HDD Right Bracket	61- 6
A853 5873	HDD Left Bracket	61- 10
A853 7000	HDD TOSHIBA MK1608MAT	61- 7
A855 5100	Harness - NIB450E	61- 2

Part No.	Description	Page and Index No.
5203 9501	Grease 501	82- 5
5206 2684	Shoulder Screw - M3	37- 2
5206 2686	Snap Ring	21- 13
5206 2686	Snap Ring	35- 13
5206 2686	Snap Ring	9- 12
5206 2686	Snap Ring	19- 16
5216 4198	Stepped Screw - Guide Plate	17- 14
5447 2681	Snap Ring	19- 5
5447 2681	Snap Ring	33- 31
5447 2681	Snap Ring	17- 1
5447 2681	Snap Ring	39- 11
5447 2681	Snap Ring	41- 5
5447 2681	Snap Ring	29- 14

Part No.	Description	Page and Index No.
0313 0040B	Philips Pan Head Screw - M3x4	43-109
0313 0050B	Philips Pan Head Screw - M3x5	61-101
0313 0060B	Philips Pan Head Screw - M3x6	43-103
0313 0060B	Philips Pan Head Screw - M3x6	21-108
0313 0100B	Philips Pan Head Screw - M3x10	61-102
0353 0040B	Screw - M3x4	17-105
0353 0060B	Philips Pan Head Screw - M3x6	23-102
0353 0060B	Philips Pan Head Screw - M3x6	21-102
0450 3006B	Tapping Screw - M3x6	11-105
0450 3006B	Tapping Screw - M3x6	29-103
0450 3008B	Tapping Screw - M3x8	11-104
0450 3008B	Tapping Screw - M3x8	21-106
0450 3008B	Tapping Screw - M3x8	9-105
0450 3008B	Tapping Screw - M3x8	13-103
0450 3008B	Tapping Screw - M3x8	31-103
0450 3008B	Tapping Screw - M3x8	33-102
0450 3008B	Tapping Screw - M3x8	29-101
0450 3008B	Tapping Screw - M3x8	27-101
0450 3008B	Tapping Screw - M3x8	35-105
0450 3008B	Tapping Screw - M3x8	17-106
0450 3008B	Tapping Screw - M3x8	39-102
0450 3008B	Tapping Screw - M3x8	25-102
0450 3008b	Tapping Screw - M3x8	23-103
0450 3010B	Tapping Screw - M3x10	35-101
0450 3010B	Tapping Screw - M3x10	13-104
0450 3010B	Tapping Screw - M3x10	35-106
0450 3012B	Tapping Screw -3x12	9-106
0450 3012b	Tapping Screw - M3x12	39-107
0450 4010B	Tapping Screw - 4x10	29-104
0450 4035B	Philips Tapping Screw - M4x35	51-109
0451 3006B	Tapping Screw - M3x6	57-101
0451 3006B	Tapping Screw - M3x6	39-101
0451 3006B	Tapping Screw - M3x6	49-106
0451 3006B	Tapping Screw - M3x6	53-104
0451 3006B	Tapping Screw - M3x6	47-101



Part No.	Description	Page and Index No.
0451 3006B	Tapping Screw - M3x6	55-101
0451 3006B	Tapping Screw - M3x6	45-102
0451 3006B	Tapping Screw - M3x6	29-107
0451 3006B	Tapping Screw - M3x6	31-101
0451 3006B	Tapping Screw - M3x6	33-101
0451 3006B	Tapping Screw - M3x6	59-101
0451 3006B	Tapping Screw - M3x6	43-104
0451 3006B	Tapping Screw - M3x6	41-102
0451 3006B	Tapping Screw - M3x6	37-101
0451 3006B	Tapping Screw - M3x6	51-102
0451 3006B	Tapping Screw - M3x6	9-102
0451 3006B	Tapping Screw - M3x6	61-104
0451 3006B	Tapping Screw - M3x6	11-103
0451 3006B	Tapping Screw - M3x6	21-101
0451 3008B	Tapping Screw - M3x8	55-102
0451 3008B	Tapping Screw - M3x8	19-101
0451 3008B	Tapping Screw - M3x8	17-101
0451 3008B	Tapping Screw - M3x8	49-108
0451 3008B	Tapping Screw - M3x8	15-104
0451 3008B	Tapping Screw - M3x8	37-102
0451 3008B	Tapping Screw - M3x8	47-102
0451 3008B	Tapping Screw - M3x8	29-102
0451 3008B	Tapping Screw - M3x8	51-105
0451 3008H	Tapping Screw - 3x8	11-101
0451 3008H	Tapping Screw - 3x8	15-101
0451 3008H	Tapping Screw - 3x8	33-103
0451 3008H	Tapping Screw - 3x8	9-101
0451 3008H	Tapping Screw - 3x8	41-101
0451 3010B	Tapping Screw - M3x10	13-102
0451 3014B	Tapping Screw - M3-14	47-107
0451 3014B	Tapping Screw - M3-14	49-104
0451 4010B	Tapping Screw - 4x10	15-105
0452 3008Z	Bind Tapping Screw - M3x8	11-102
0452 3010B	Tapping Bind Screw - M3x10	25-101
0453 3006b	Tapping Screw - M3x6	37-108

Part No.	Description	Page and Index No
0453 3012B	Binding Self Tapping Screw - 3x12	37-104
0534 0050E	Headless Screw - M4 X 5	47-106
0720 0015E	Retaining Ring - 1.5	29-106
0720 0020E	Retaining Ring - M2	21-109
0720 0030E	Retaining Ring - M3	35-102
0720 0030E	Retaining Ring - M3	37-105
0720 0030E	Retaining Ring - M3	9-104
0720 0030E	Retaining Ring - M3	43-105
0720 0040E	Retaining Ring - M4	27-102
0720 0040E	Retaining Ring - M4	21-104
0720 0040E	Retaining Ring - M4	29-105
0720 0040E	Retaining Ring - M4	45-106
0720 0040E	Retaining Ring - M4	43-107
0720 0040E	Retaining Ring - M4	19-102
0720 0040E	Retaining Ring - M4	17-103
0720 0040E	Retaining Ring - M4	35-104
0720 0040E	Retaining Ring - M4	39-103
0720 0060E	Retaining Ring - M6	23-101
0720 0060E	Retaining Ring - M6	21-103
0720 0060E	Retaining Ring - M6	49-102
0720 0060E	Retaining Ring - M6	9-103
0720 0060E	Retaining Ring - M6	33-104
0720 0060E	Retaining Ring - M6	15-103
0720 0060E	Retaining Ring - M6	43-101
0720 0060E	Retaining Ring - M6	19-103
0720 0080E	Retaining Ring - M8	37-106
0725 0110E	C Ring - M11	35-103
0801 0149	Philips Pan Head Screw - M4x6	51-107
0801 0149	Philips Pan Head Screw - M4x6	57-109
0801 0153	Bind Screw - M6x32	59-107
0802 5265	Tapping Screw - M3x6	45-105
0802 5265	Tapping Screw - M3x6	43-102
0802 5276	Tapping Screw With Washer - M3x6	59-106
0805 0089	Retaining Ring - M4	19-105
0805 3480	Bushing - 6mm	49-101

Part No.	Description	Page and Index No.
0805 3480	Bushing - 6mm	39-104
0805 3480	Bushing - 6mm	17-102
0805 3480	Bushing - 6mm	45-101
0805 3480	Bushing - 6mm	19-104
0950 4006M	Philips Screw With Flat Washer - M4x6	53-105
0950 4006M	Philips Screw With Flat Washer - M4x6	37-103
0951 3005B	Philips Screw With Flat Washer M3x5	39-106
0951 3006B	Philips Screw With Flat Washer - M3x6	61-103
0951 3006B	Philips Screw With Flat Washer - M3x6	31-102
0951 3008B	Philips Screw With Flat Washer-m3x8	13-101
0957 3008	Double Sems Screw - M3x8	37-109
0957 3012B	Double Sems Screw - M3x12	37-107
1101 0328	Connector Pin Contact	65-101
1101 0328	Connector Pin Contact	71-101
1102 2854	Connector - 40P	71-102
1102 5063	CON:FCN685J036-L/YA	75-101
1102 5304	Connector - 5P	71-103
1102 5306	Connector - 7P	65-102
1102 5944	Pin Header - 3P	75-102
1102 6245	Relay Connector - 2P	53-112
1102 6245	Relay Connector - 2P	39-105
1102 6246	Relay Connector - 4P	21-107
1102 6246	Relay Connector - 4P	53-109
1102 6247	Connector - 4P	53-111
1102 6249	Relay Connector - 6P	53-108
1102 6256	Relay Connector - 13P	53-115
1102 6260	Relay Connector - 3P	53-110
1102 6261	Relay Connector - 4P	53-107
1102 6266	Relay Connector - 9P	53-114
1102 6297	Connector - 4P	71-104
1102 6297	Connector - 4P	65-103
1102 6299	Connector - 6P	65-104
1102 6301	Connector - 8P	65-105
1102 6305	Connector - 12P	65-106
1102 6334	Connector - 3P	65-107

Part No.	Description	Page and Index No
1102 6336	Connector - 5P	65-108
1102 6337	Connector - 6P	65-109
1102 6340	Connector - 9P	65-110
1102 6342	Connector - 11P	65-111
1102 6395	Connector - 1P	65-112
1102 6400	Connector - 24P	65-113
1102 6401	Connector - 26P	65-114
1102 6653	Connector - 44P	75-103
1102 6896	Connector - 50P	65-115
1102 6943	Relay Connector - 10P	53-113
1102 7132	Card Slot - 68p	71-105
1102 7196	Connector - 50P	71-106
1102 7389	Connector - FH12-50S-0.5SV	71-107
1102 7395	SIMM Socket - 89185-7214	75-104
1102 7456	Connector 176125-5	71-108
1102 7626	Connector - TX25-80P-LT-N1	75-105
1102 7672	Connector - 54111-1615	49-109
1102 7700	Connector - TX24-50R-LT-N1	65-116
1102 7702	Connector - TX25-60P-12ST-H1	71-109
1104 0377	IC Socket - 28P DICF-28CS-E	75-106
1104 0588	DIP Socket - 28P	71-110
1104 0683	Socket - IMSA-9206H-GF	75-107
1104 0769	IC Socket	71-111
1105 0229	Clamp	57-108
1105 0229	Clamp	53-103
1105 0229	Clamp	45-107
1105 0229	Clamp	43-106
1105 0267	Harness Clamp - YMC-10-0	55-104
1105 0267	Harness Clamp - YMC-10-0	57-107
1105 0267	Harness Clamp - YMC-10-0	49-105
1105 0267	Harness Clamp - YMC-10-0	17-104
1105 0283	Clamp	21-105
1105 0283	Clamp	19-106
1105 0290	Harness Clamp - Horizontal	55-105
1105 0290	Harness Clamp - Horizontal	59-103

Part No.	Description	Page and Index No.
1105 0290	Harness Clamp - Horizontal	57-104
1105 0291	Harness Clamp - LWS-3S	59-105
1105 0291	Harness Clamp - LWS-3S	57-105
1105 0291	Harness Clamp - LWS-3S	45-103
1105 0291	Harness Clamp - LWS-3S	51-101
1105 0310	Harness Clamp - LWS-1S	57-102
1105 0310	Harness Clamp - LWS-1S	49-107
1105 0310	Harness Clamp - LWS-1S	53-106
1105 0310	Harness Clamp - LWS-1S	51-103
1105 0328	Harness Clamp - ES-0505	43-108
1105 0328	Harness Clamp - ES-0505	47-103
1105 0328	Harness Clamp - ES-0505	45-104
1105 0329	Clamp - ES-0510	47-104
1105 0329	Clamp - ES-0510	57-106
1105 0349	Edge Saddle	15-102
1105 0349	Edge Saddle	57-103
1105 0349	Edge Saddle	59-102
1105 0349	Edge Saddle	47-105
1105 0349	Edge Saddle	55-103
1105 0409	Card Spacer 6.4mm	59-104
1105 0437	Locking Support - FGS-4S	51-108
1107 0472	Circuit Breaker - W28XQ1A 8A 25V (230V)	51-112
1107 0879	Fuse - 5A 250V	51-104
1107 0906	Fuse - 4A 125V	51-111
1107 0907	Fuse - 6.3A 125V	51-110
1107 0910	Fuse - 2A 125V	51-106
1107 0919	Fuse - 8A 125V	51-104
1107 0920	Fuse - 6.3A 250V	51-110
1107 0921	Fuse - 4A 250V	51-111
1107 0922	Fuse - 2A 250V	51-106
1204 1543	Dip Switch	65-117
1204 2286	Switch - SKHHLMA010	75-108
1204 2368	Dip Switch - DSS804	75-109
1204 2466	Microswitch - V-16506-1C25	49-103
1204 2466	Microswitch - V-16506-1C25	45-108

Part No.	Description	Page and Index No
1204 2466	Microswitch - V-16506-1C25	33-105
1204 2466	Microswitch - V-16506-1C25	53-101
1204 2468	Switch - AC250/16A	53-102
1400 0392	Transistor - DTC114EK	71-112
1400 0398	Transistor - 2SC2412K	71-113
1400 0459	Transistor - DTC143XKA	71-114
1400 0556	Transistor - DTB143EK	65-118
1400 0558	Transistor - 2SD780	65-119
1402 0477	Silicon Diode - 1ss187	71-115
1402 0478	Diode - 1SS226TE85L	65-120
1402 0942	Diode - 1SS193	65-121
1402 1037	Diode - U1ZB12	65-122
1402 1122	Diode - MA159A	65-123
1402 1345	Diode - UDZ3.6B	71-116
1402 1380	Diode - PTZ 6.2A	71-117
1402 1380	Diode - PTZ 6.2A	65-124
1403 0531	LED - PG1102W	75-110
1403 0664	LED - BR1102W	75-111
1403 0828	Diode - SEC1901C	71-118
1403 0829	Diode - SEC1201C	71-119
1407 1535	IC - TD62308AP	65-125
1407 1596	TTLIC - SN74LS14NS	65-126
1407 1596	TTLIC - SN74LS14NS	75-112
1407 2134	TTLIC - 74F32SJ	75-113
1407 2135	TTLIC - 74F74SJ	71-120
1407 2143	TTLIC - 74F244SJ	71-121
1407 2144	TTLIC - 74F245SJ	71-122
1407 2187	TTLIC SN74LS07NS	65-127
1407 2187	TTLIC SN74LS07NS	71-123
1407 2218	TTLIC SN74LS06NS	71-124
1407 2219	IC - TD62003AP	65-128
1407 2463	TTL - IC - SN74ALS08NS	75-114
1407 2588	TTLIC - SN74ALS04BNS	75-115
1407 2816	TTL - SN74ALS374ANS	75-116
1407 2833	TTLIC - SN74ALS273NS	75-117

Part No.	Description	Page and Index No.
1407 3008	TTL - SN74ALS244CNS	71-125
1407 3021	TTL SN74ALS139NS	71-126
1407 3206	IC - TC7S32F	71-127
1407 3281	IC - TC74HCU04AF	65-129
1407 3290	IC - TC74HC02AF	65-130
1407 3355	TTLIC 74F125SJ	75-118
1407 3380	Hs-c2mos - Tc74hct04af	65-131
1407 3411	SN74ALS541NS	71-128
1407 4044	IC - 74ACT14	71-129
1407 4771	IC - MC68334GFC16	71-130
1407 4815	IC - M48Z58Y-70PC1	75-119
1407 4963	IC - MBM29F800TA-70PFTN	71-131
1407 5016	IC - 74LVX161284MEA	75-120
1407 5110	CMOS SN74LV244ANS	71-132
1407 5151	IC - MBM29F160TE70TN	75-121
1408 0575	IC - M51957BFP	71-133
1408 0877	Comparator - LM339NS	65-132
1408 0920	Opeamp - Njm2902e	65-133
1408 1204	IC - TA8083P	65-134
1408 1266	Regulator - LT1086CM-3.3	71-134
1503 0239	Oscillator - HC-49/U-S 10Mhz	71-135
1503 0460	Oscillator - 32.768Khz	71-136
1503 0713	Oscillator - SG-531PH 66MHZ	75-122
1503 0784	Osillater - MA-406 19.6608Mhz	71-137
1503 0809	Oscillator - 30Mhz	71-138
1503 0860	Oscillator - 40.97Mhz	71-139
1503 0865	Oscillator - 9.8304MHZ	65-135
1600 1178	Resistor Array - 330Ω ±5% 1W	65-136
1601 7724	Resistor - 680 Ω MNR14J681	71-140
1601 7800	Resistor Array - 1KΩ ±5% 1/16W	65-137
1601 7800	Resistor Array - 1KΩ ±5% 1/16W	71-141
1601 7801	Resistor Array - 10KΩ ±5% 1/16W	71-142
1601 7801	Resistor Array - 10KΩ ±5% 1/16W	65-138
1601 7805	Resistor Array - 33 Ω ±5% 1/16W	71-143
1601 7807	Resistor Array - 3.3KΩ ±5% 1/16W	71-144

Part No.	Description	Page and Index No
1601 7808	Resistor - 4.73K Ω ±5% 1/16W	71-145
1601 7809	Resistor Array - 2.2K Ω 1/16W	71-146
1604 2601	Capacitor - 47μF ±20% 25V	65-139
1604 4333	Capacitor - 100μF ±20% 10V	71-147
1604 4454	Capacitor - 22μF 20V	75-123
1605 0577	Capacitor - 0.33μF +80-20%	71-148
1605 0685	Capacitor - 0.47μF	71-149
1605 0869	Capacitor - 820pF ±10% 50V	71-150
1607 0280	Inductor - BLM41	71-151
1607 0723	Noize Filter - N2012Z121	71-152
1607 0732	Noise Filter - Aef321825-470	71-153
1607 0978	Inductor - BLM21P300SPB	75-124
1607 1002	IC - NFM60R30T222	65-140
1607 1031	Filter - ACB1608L-060	71-154
1607 1045	Filter - ACB2012M-300	75-125
1607 1132	Filter - ACF321825-471	71-155
1630 2100	Resistor - 10Ω 1/8W ±5%	75-126
1630 2102	Resistor - 1K Ω 1/8W ±5%	75-127
1630 2103	Resistor - 10K Ω 1/8W	75-128
1630 2220	Resistor - 22Ω 1/8W ±5%	75-129
1630 2221	Resistor - 220 Ω	65-141
1630 2222	Resistor - 2.2K Ω 1/8W	75-130
1630 2271	Resistor - 270Ω - 1/8W	75-131
1630 2332	Resistor - 3.3K Ω 1/8W ±5%	75-132
1630 3100	Resistor - 10 Ω ±5% 1/10W	65-142
1630 3100	Resistor - 10 Ω ±5% 1/10W	75-133
1630 3101	Resistor - 100Ω - 1/10W	75-134
1630 3102	Resistor - 1KΩ 1/10W ±5%	65-143
1630 3103	Resistor - 10K Ω 1/10W ±5%	65-144
1630 3105	Resistor - 1M Ω ±5% 1/10W	65-145
1630 3152	Resistor - 1.5kΩ - 1/10W	65-146
1630 3161	Registor - 160Ω 1/10w ±5%	65-147
1630 3204	Resistor - 200K Ω 1/10W ±5%	65-148

Part No.	Description	Page and Index No.
1630 3222	Resistor - 2.2K $\Omega$ 1/10W $\pm$ 5%	65-149
1630 3223	Resistor - 22k $\Omega$ - 1/10W	65-150
1630 3330	Resistor - 33 $\Omega$ $\pm$ 5% 1/10W	65-151
1630 3330	Resistor - 33 $\Omega$ $\pm$ 5% 1/10W	75-135
1630 3332	Resistor - 3.3K $\Omega$ 1/10W $\pm$ 5%	65-152
1630 3362	Resistor - 3.6K $\Omega$ $\pm$ 5% 1/10W	65-153
1630 3471	Resistor - 470 $\Omega$ - 1/10W	65-154
1630 3472	Resistor - 4.7K $\Omega$ 1/10W $\pm$ 5%	65-155
1630 3473	Resistor - 47K $\Omega$ 1/10W $\pm$ 5%	71-156
1630 3511	Resistor - 510 $\Omega$ $\pm$ 5% 1/10W	71-157
1630 3511	Resistor - 510 $\Omega$ $\pm$ 5% 1/10W	65-156
1630 3562	Resistor - 5.6K $\Omega$ +5% 1/10W	65-157
1630 3681	Resistor - 680 $\Omega$ $\pm$ 5% 1/10W	65-158
1630 4100	Resistor - 10 $\Omega$ $\pm$ 5% 1/16W	71-158
1630 4101	Resistor - 100 $\Omega$ $\pm$ 5% 1/16W	71-159
1630 4102	Resistor - 1.0K $\Omega$ $\pm$ 5% 1/16W	71-160
1630 4103	Resistor - 10K $\Omega$ $\pm$ 5% 1/16W	71-161
1630 4104	Resistor - 100 $\Omega$ $\pm$ 5% 1/16W	71-162
1630 4106	Resistor -10m $\Omega$ $\pm$ 5% 1/16w	71-163
1630 4222	Resistor - 2.2K $\Omega$ $\pm$ 5%	71-164
1630 4223	Resistor - 22K $\Omega$ $\pm$ 5% 1/16W	71-165
1630 4330	Resistor - 33 $\Omega$ $\pm$ 5% 1/8W	71-166
1630 4332	Resistor - 3.3K $\Omega$ $\pm$ 5% 1/16W	71-167
1630 4334	Resistor - 330K $\Omega$ $\pm$ 5% 1/16W	71-168
1630 4471	Resistor - 470 $\Omega$ $\pm$ 5% 1/16W	71-169
1630 4472	Resistor - 4.7K $\Omega$ $\pm$ 5% 1/16W	71-170
1630 4562	Resistor - 5.6k $\Omega$ - $\pm$ 5% - 1/16w	71-171
1630 4563	Resistor - 56K $\Omega$ $\pm$ 5% 1/16W	71-172
1630 4680	Resistor - 68 $\Omega$ $\pm$ 5% 1/16W	71-173
1630 4681	Resistor - 680 $\Omega$ $\pm$ 5% 1/16W	71-174
1630 4751	Resistor - 50 $\Omega$ $\pm$ 5.00% 1/16W	71-175
1630 4820	Resistor - 82 $\Omega$ $\pm$ 5% 1/16W	71-176
1631 0000	Resistor - 0 $\Omega$ 1/4W	65-159

Part No.	Description	Page and Index No
1631 1000	Resistor - 100 $\Omega$ $\pm$ 1% 1/4W	65-160
1632 0000	Resistor - 0 $\Omega$ 1/8W	75-136
1633 1003	Resistor - 100K $\Omega$ $\pm$ 1% 1/10W	65-161
1633 1403	Resistor - 140K $\Omega$ $\pm$ 1% 1/10W	65-162
1633 2402	Resistor - 24K $\Omega$ $\pm$ 1% 1/10W	65-163
1633 4641	Resistor - 4.64K $\Omega$ $\pm$ 1% 1/10W	65-164
1633 5231	Resistor - 5.23K $\Omega$ $\pm$ 1% 1/10W	65-165
1633 5621	Resistor - 5.62K $\Omega$ $\pm$ 1% 1/10W	65-166
1633 7150	Resistor - 715 $\Omega$ $\pm$ 1% 1/10W	65-167
1634 0000	Resistor - 0 $\Omega$ 1/16W	75-137
1634 0000	Resistor - 0 $\Omega$ 1/16W	71-177
1634 1002	Resistor - 10 $\Omega$ $\pm$ 5% 1/16W	71-178
1634 3921	Resistor - 3.92K $\Omega$ $\pm$ 1% 1/1	71-179
1640 2470	Capacitor - 47 $\mu$ F $\pm$ 20% 25V	65-168
1640 5101	Capacitor - 100 $\mu$ F $\pm$ 20% 50V	65-169
1640 5470	Capacitor - 47 $\mu$ F $\pm$ 20% 50V	65-170
1644 0470	Capacitor - 47 $\mu$ F $\pm$ 20% 10V	71-180
1644 5100	Capacitor - 10 $\mu$ F $\pm$ 20% 50V	71-181
1660 0100	Capacitor - 10PF $\pm$ 0.5pF 50V	71-182
1660 2101	Capacitor - 100pF - $\pm$ 10% - 50V	71-183
1660 2150	Capacitor - 15pF $\pm$ 5% 50V	71-184
1660 2151	Capacitor - 150pF $\pm$ 20% 35V	71-185
1660 2180	Capacitor 18pF $\pm$ 5% 50v	71-186
1660 2220	Capacitor - 22pF $\pm$ 20% 35V	71-187
1660 2330	Capacitor - 33pF - $\pm$ 5% - 50V	71-188
1660 2470	Capacitor - 47pF $\pm$ 5% 50V	71-189
1660 3101	Capacitor - 100pF 50V	65-171
1660 3102	Capacitor - 1000pF $\pm$ 5% 50V	65-172
1660 3220	Capacitor - 122pF $\pm$ 5% 50V	65-173
1660 3331	Capacitor - 330pF $\pm$ 5% 50V	65-174
1660 3471	Capacitor - 470pF 50V	65-175
1660 3471	Capacitor - 470pF 50V	75-138
1660 3820	Capacitor - 82pF $\pm$ 5% 50V	65-176

Part No.	Description	Page and Index No.
1660 4102	Capacitor - 1000pF $\pm$ 10% 50V	71-190
1660 4222	Capacitor - 2200pF - $\pm$ 10% - 50V	71-191
1660 5102	Capacitor - 1000pF $\pm$ 10% 50V	75-139
1660 5472	Capacitor - 4700pF 50V	65-177
1660 6103	Capacitor - 10000pF - +80%-20%, 50V	71-192
1660 7103	Capacitor - 10000pF 50V	65-178
1660 7104	Capacitor - 100000pF 50V	75-140
1660 7104	Capacitor - 100000pF 50V	65-179
1660 8104	Capacitor - 0.1 $\mu$ F +80-20% 25V	71-193
1901 0046	DRAM 4M 256kX16 70NS G8	71-194
1903 1015	DRAM 16M 1MX16 60NS EDO G8	75-141
1907 0002	SDRAM 64M 1MX16X4 100MHZ G1	71-195

Part No.	Description	Page and Index No